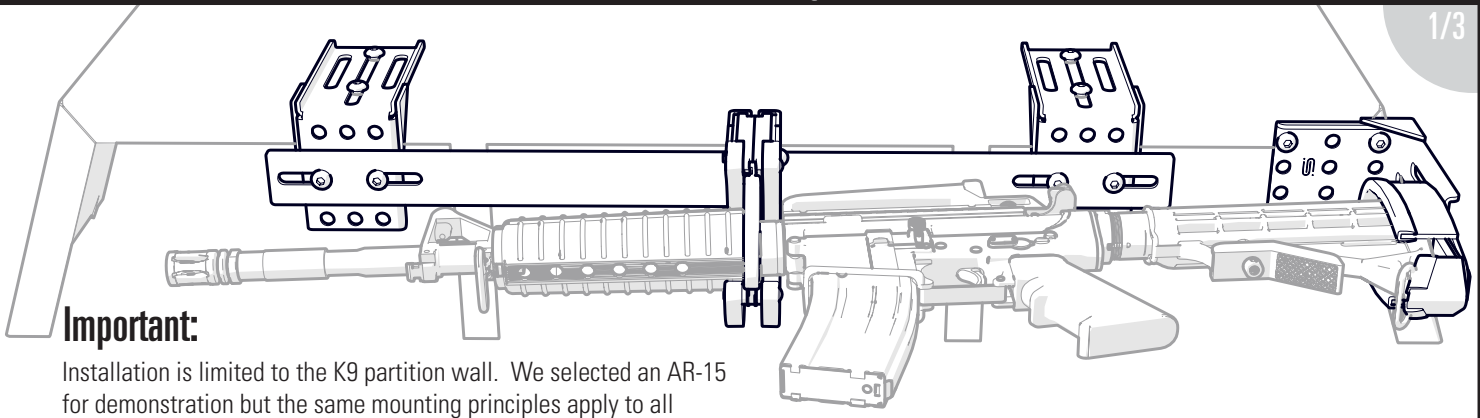


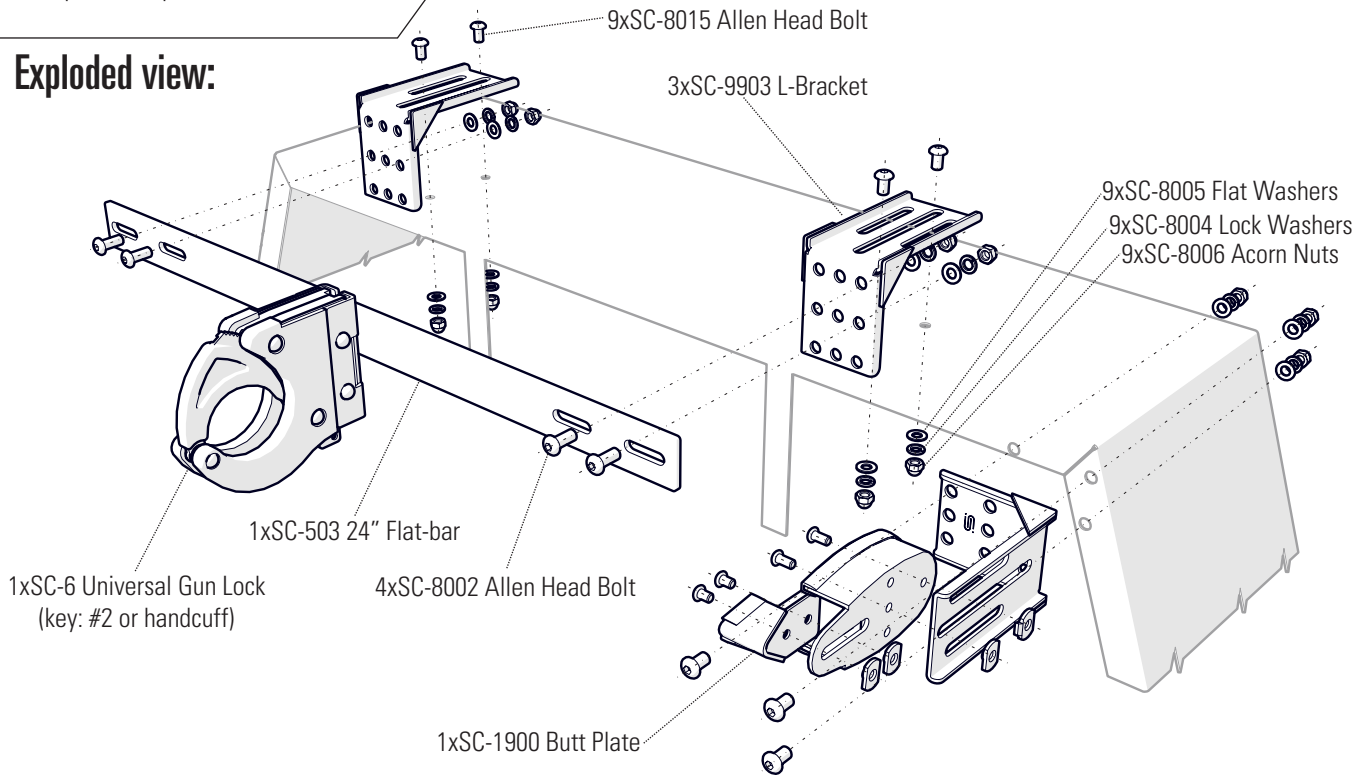
# Overhead Bracket for K9 and Flat Cages SC-934-5-A-K9



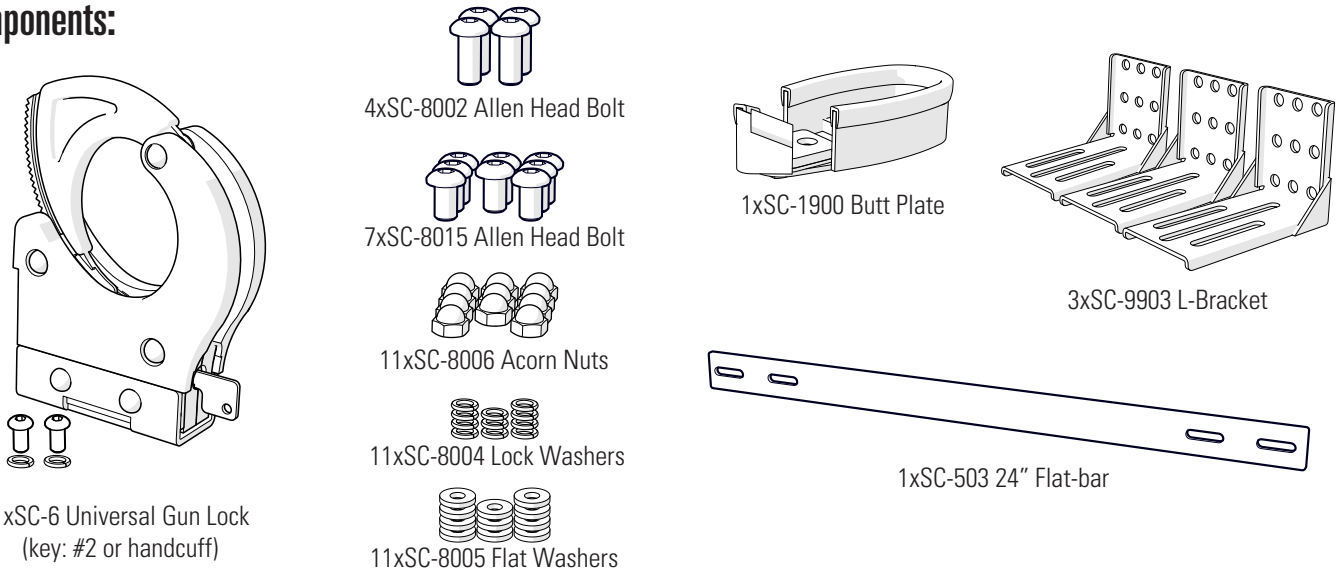
**Important:**

Installation is limited to the K9 partition wall. We selected an AR-15 for demonstration but the same mounting principles apply to all weapons (see pictures on the other side).

**Exploded view:**



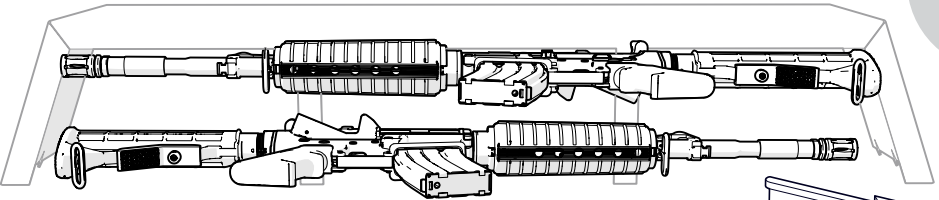
**Components:**



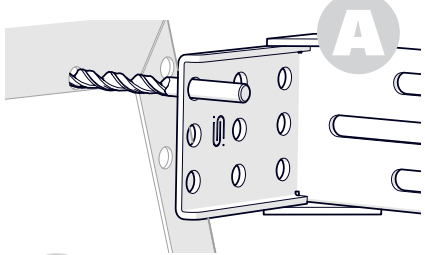
# Overhead Bracket for K9 and Flat Cages SC-934-5-A-K9

## 1 Muzzle Direction

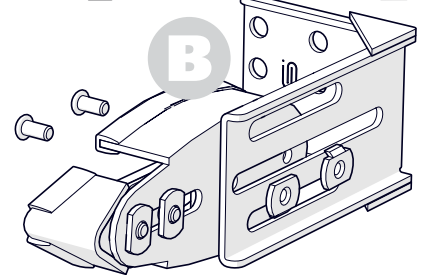
Since our weapon racks are modular, this gives you the ability to have the weapon face with the muzzle pointing to either side of the vehicle.



## 2 Install Butt Plate



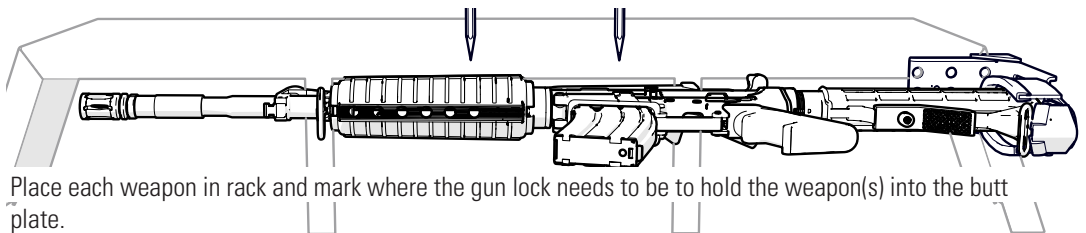
Hold the SC-9903 L-Bracket in place and mark holes for drilling. Drill marked holes with 5/16 or larger drill bit. Mount L-Bracket with 3/8 button head screws, washers, and acorn nuts provided. Then, install butt plate to L-Bracket with provided hardware. Do not torque down the hardware until everything is installed.



**NOTE:** If you have a weapon with larger optics on it, you can also mount the butt plate 90° downwards so that the optics will not interfere with the rack.

## 3 Mark Gun Lock

Hold each weapon to be used in the gun rack up to the butt plate and mark on the cage wall where the gun lock needs to grab the weapon to hold it into the butt plate.



Place each weapon in rack and mark where the gun lock needs to be to hold the weapon(s) into the butt plate.

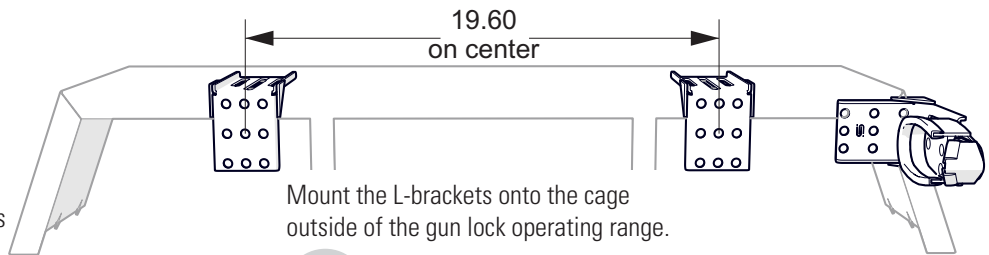
This will give you the operating range that the gun lock needs. The L-Brackets will need to be mounted outside of these two marks.

## 4 Mount Bases

Hold one of the L-Brackets up on the cage and mark the holes to be drilled. Mount the base to the cage but do not completely tighten. Hold up the long flat bar and base to mark measurements where to mount the other L-Bracket.

L-Brackets will be 19 5/8" apart on center L-Brackets should be mounted out far enough from the wall so that they don't interfere with the cage door if it is equipped.

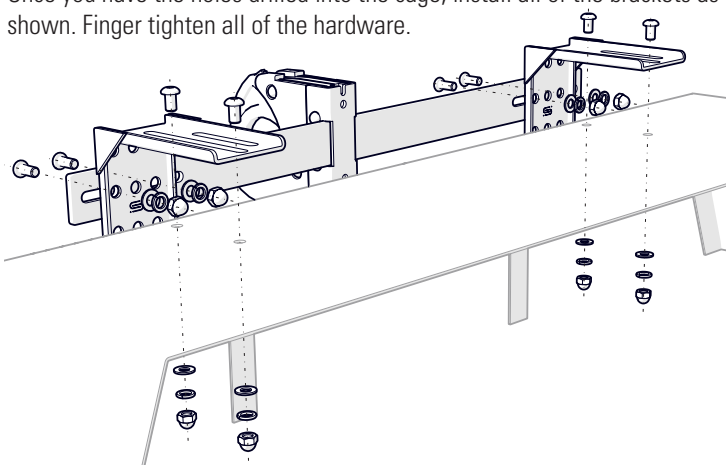
**Note:** Be certain that L-Brackets do not interfere with the K9 cage door if applicable.



Mount the L-brackets onto the cage outside of the gun lock operating range.

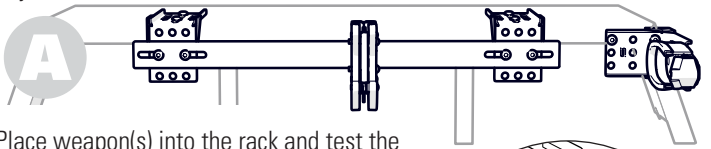
## 5 Install Gun Lock

Once you have the holes drilled into the cage, install all of the brackets as shown. Finger tighten all of the hardware.

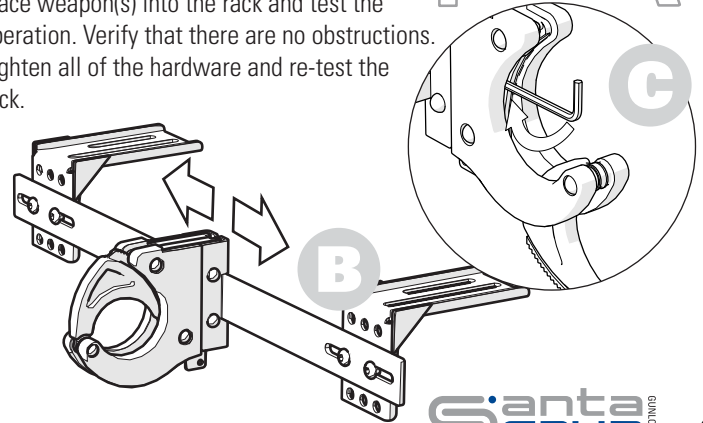


## 6 Tighten the screws

Tighten all of the hardware and test the rack to make sure that there are no obstructions that prevent proper functioning of the door. If applicable, test the K9 cage door to be sure that it opens. Make any necessary adjustments.



Place weapon(s) into the rack and test the operation. Verify that there are no obstructions. Tighten all of the hardware and re-test the rack.



# Overhead Bracket for K9 and Flat Cages **SC-934-5-A-K9**

**Important**

Should you have any problem installing or using Santa Cruz products, we are here to help you every step of the way. Just give us a call at our toll free number (800) 847-5428 and we will be glad to help you with the installation, special part request or any other way you might need assistance.

**WARNING! SAFETY FIRST!  
Gun Lock Safety Precautions**



**NOTE:**

Santa Cruz Gunlocks, LLC (SCG) gun racks and gun locks are intended for temporary, secure storage of firearms. They are not substitutes for a permanent storage enclosure and only act as limited theft deterrents. And they will not prevent accidental discharge/firing of a chambered round.

**To properly and safely use the SCG gun rack and/or gun lock:**

- Do not use if your firearm does not fit the SCG gun rack and/or gun lock
- Never chamber a round while using a SCG gun rack and/or gun lock
- It is the responsibility of the user to operate the SCG gun rack and/or gun lock properly and safely

Santa Cruz Gunlocks, LLC. (SCG) warrants this product to be free of defects in material and workmanship under normal use for one year from the date of purchase.

SCG makes no other express or implied warranties of the product. The purchaser's sole and exclusive remedy in the unlikely event of breach of warranty is expressly limited to, at SCG's election, repair, refurbishment, or replacement of the defective product with the same version or an upgrade or, if replacement is not possible, a refund of the purchase price.

Shipping cost to SCG must be paid by the user and SCG will pay return shipping charges. Repair parts and replacement products will be provided on an exchange base only and will be either reconditioned or new. This limited warranty does not cover damage to the product resulting from accident, disaster, misuse, abuse, negligence, improper installation or modification or repair of the product other than by SCG. Limited warranty service may be obtained by returning the product to SCG. THIS LIMITED WARRANTY IS IN LIEU OF ALL OTHER WARRANTIES, EXPRESS OR IMPLIED, INCLUDING, BUT NOT LIMITED TO, THE IMPLIED WARRANTIES OF MERCHANTABILITY AND FITNESS FOR A PARTICULAR PURPOSE. Some states, do not allow the exclusion of implied warranties, so their exclusion above may not apply to you.

**LIMITATION OF LIABILITY**  
NEITHER SCG NOR ITS AUTHORIZED DEALER(S) SHALL BE LIABLE FOR ANY DIRECT, INDIRECT, INCIDENTAL, SPECIAL, OR CONSEQUENTIAL DAMAGES, WHETHER IN AN ACTION IN CONTRACT OR TORT (INCLUDING NEGLIGENCE AND STRICT LIABILITY), SUCH AS, BUT NOT LIMITED TO, LOSS OF ANTICIPATED PROFITS OR BENEFITS RESULTING FROM THE USE OR NOT USE OF THE PRODUCT OR ANY BREACH OF ANY WARRANTY, EVEN IF SCG OR ITS AUTHORIZED REPRESENTATIVE HAS BEEN ADVISED OF THE POSSIBILITY OF SUCH DAMAGES. IN NO EVENT WILL SCG OR ITS AUTHORIZED REPRESENTATIVES' LIABILITY EXCEED THE PRICE PAID FOR THE PRODUCT.

**Tamper resistant hardware (optional)**



7x Tamper Resistant  
Torx Head Bolt  
5/16-18



11x Tamper Resistant  
Break Away Nut 5/16-18

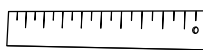


TT-40 Torx Bit

**Tools needed for installation**



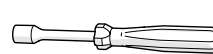
Tape Measure



Ruler



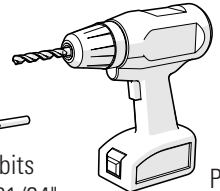
3/16" Hex Wrench



Nutdriver



1/2", 3/4", 13/16" Wrench



Drill

Drill bits

5/16", 21/64"



Pencil

**Note:**

---

---

---

---

---

---

---

---

---

---




---

---

---

---

---

---

---

---

---

---