



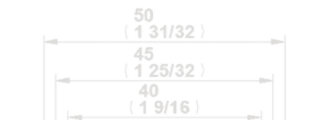
## Installation Instructions:

# C-VSX-1800-INUT SERIES

Next generation console for the 2020-21 Ford Interceptor Utility  
18" Vehicle Specific Console

### ↳ Look Inside For:

- Information about your VSX Console
- Installation instructions for your VSX Console
- Additional related products of the VSX Console
- Maintenance & troubleshooting of the VSX Console
- Warranty & service information



# Contents

## About Your Console

Page #

Line Drawing .....	3
Table highlighting the subcomponents of the VSX console .....	4
Mounting hardware list for the VSX console .....	5

## Installing Your VSX Console

Page #

Step By Step Instructions .....	6
Additional products for the VSX console .....	13

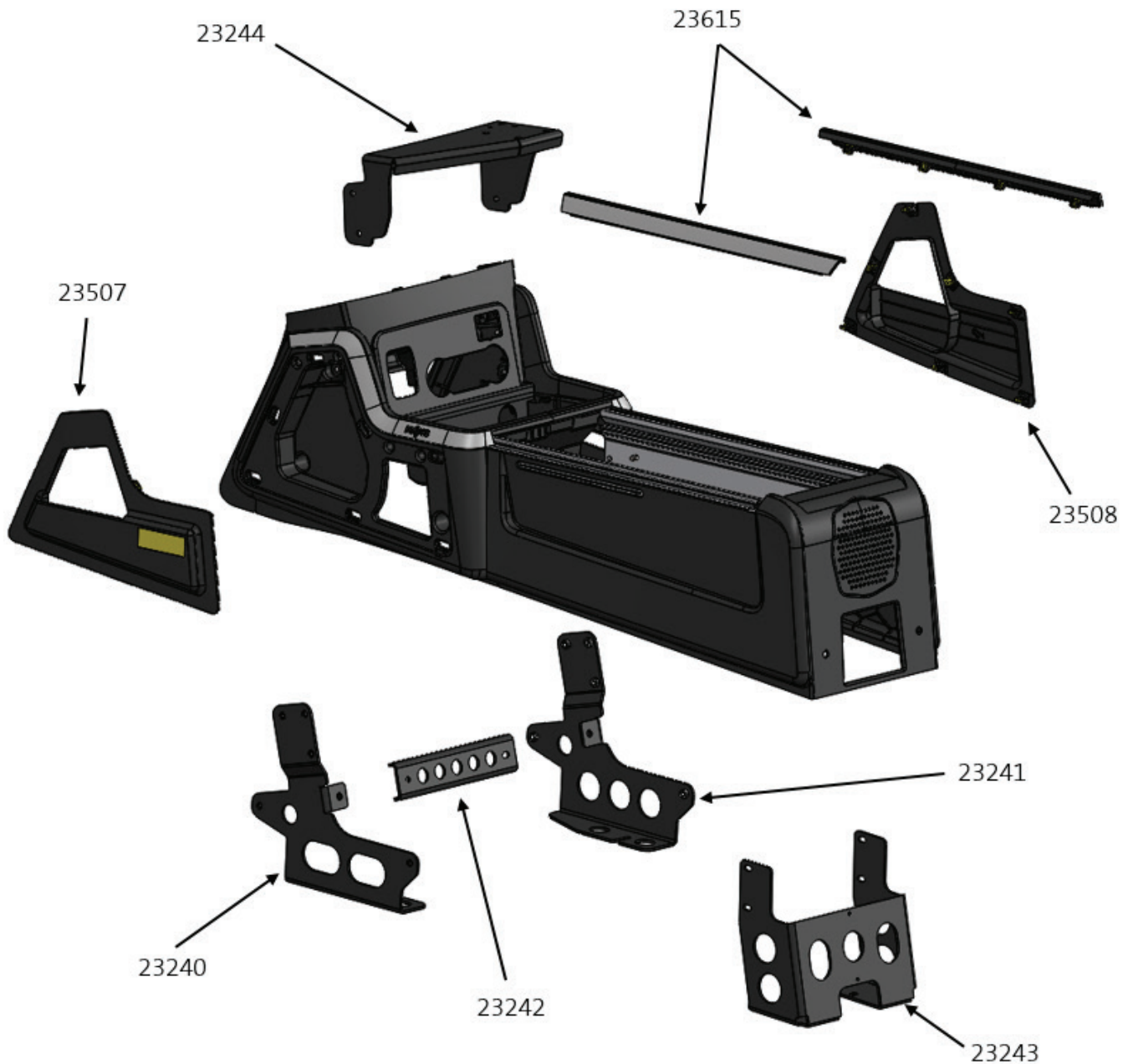
## Additional Items

Page #

Maintenance & Troubleshooting .....	14
Warranty & Service .....	15

## About Your Console

# C-VSX-1800-INUT-H



## Tools Required

- Phillips Head Screwdrivers (#1, #2)
- T-10 Torx Bit
- T-20 Torx Bit
- Metric Socket Set
- Standard Socket Set
- 5/32" Hex Bit

## Subcomponents of the VSX Console

### C-VSX-1800-INUT-H

QTY	DESCRIPTION	PART#	NOTES
1	LH Front Floor Bracket	23240	
1	RH Front Floor Bracket	23241	
1	Front Cross Brace	23242	
1	Rear Floor Bracket	23243	
1	Hood Bracket	23244	
1	LH Front Side Panel	23507	
1	RH Front Side Panel	23508	
2	Rear Trim Strips	23615	
18	1/4" - 20x5/8" L Button Head Screw	16466	
5	M4 x 12mm L Washer Head Screw	17867	For Motorola Speaker Mounting (not included)
5	A-clip (Spare Parts)	16309	

### C-PMX-101

QTY	DESCRIPTION	PART#
1	Push-Push Latch	16756
1	Right Angle USB Extension Cable	16934
1	Paper Roll Spindle	23447
3	M3 x 10mm L Washer Head Screw	17869
3	M2.6 x 6mm L Pan Head Screw	17805

### C-APX-101

QTY	DESCRIPTION	PART#
1	Storage Pocket	23522

### CMX15600-08

QTY	DESCRIPTION	PART#
1	8 Position Fuse Block	13376
3	M4 x 30mm L Washer Head Screw	16934

### C-EBX-WHE-1

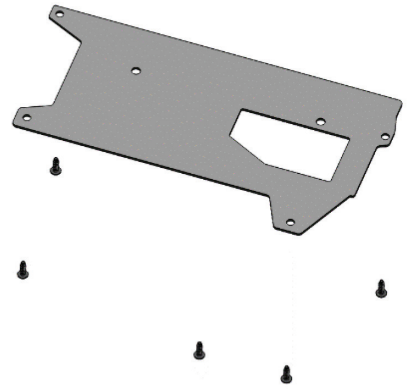
QTY	DESCRIPTION	PART#
3	#10-32 x 5/8" L Hex Head Screw	GSM34137
3	#10-32 Nylock Hex Nut	GSM30015
3	Spacer	GSM34624



## Mounting Hardware

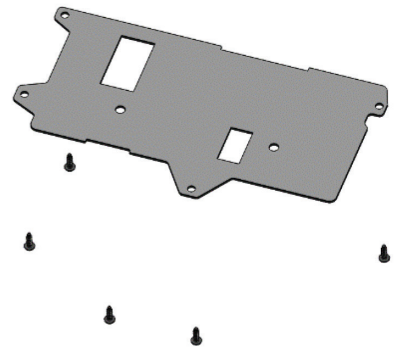
### C-EBX-FS-1

QTY	DESCRIPTION	PART#
1	EBX Plate, Federal Signal	10-010296
5	M3 x 10mm L Washer Head Screw	HW-PT-0045



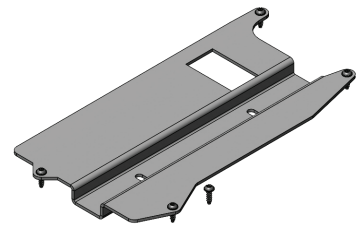
### C-EBX-C3-1

QTY	DESCRIPTION	PART#
1	EBX Plate, Code 3	10-010297
5	M3 x 10mm L Washer Head Screw	HW-PT-0045



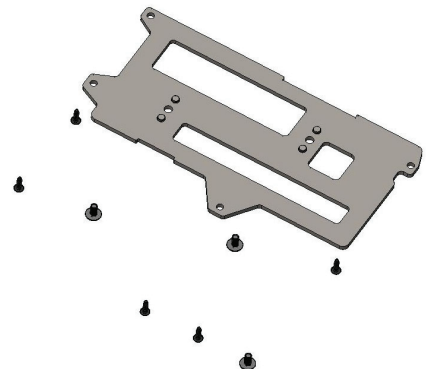
### C-EBX-C3-2

QTY	DESCRIPTION	PART#
1	EBX Plate, Code 3	10-010297
5	M3 x 10mm L Washer Head Screw	HW-PT-0045



### C-EBX-SO-1

QTY	DESCRIPTION	PART#
5	M3 X 10mm L Washer Head Screw	HW-PT-0045
5	8-32 x .3125 Machine Screw	HW-MS-2755



## Step By Step Installation

View of Interceptor Utility before installation.



1

Remove the Ford OEM tunnel plate. Using a 10mm head socket, remove (4) nuts. **Retain for later use.**



## Step By Step Installation

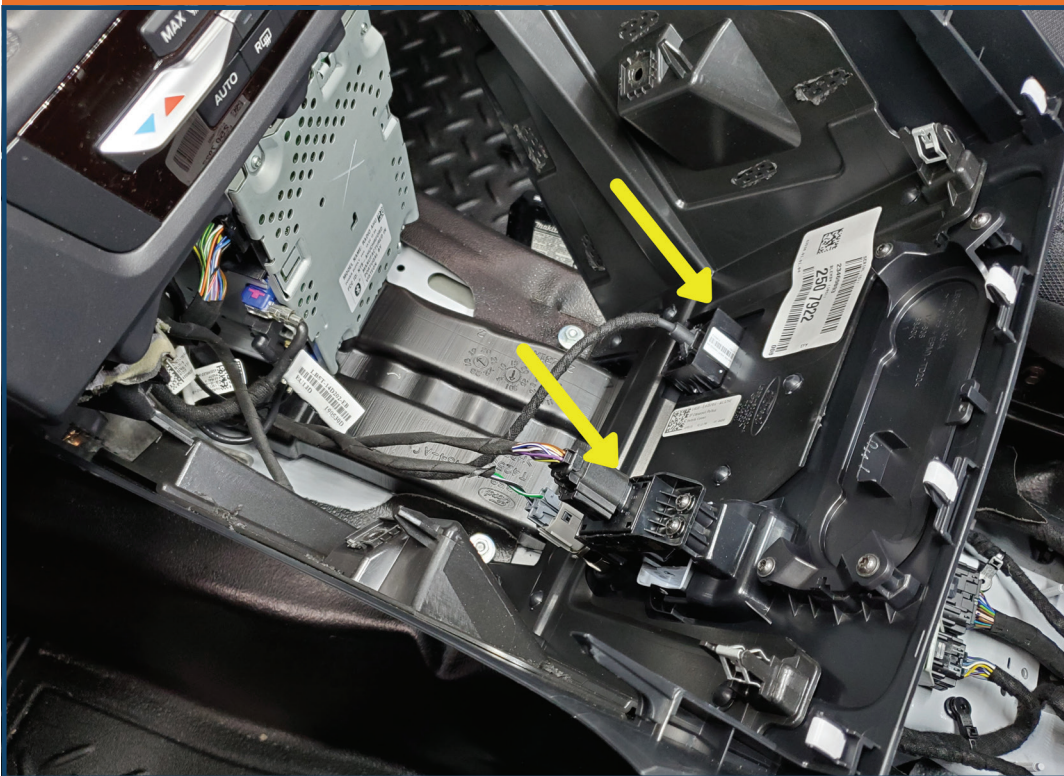
2

On side of forward trim, remove (2) 7mm head fasteners.



3

Pull trim towards the rear of the vehicle. Unplug all connectors and remove from vehicle.

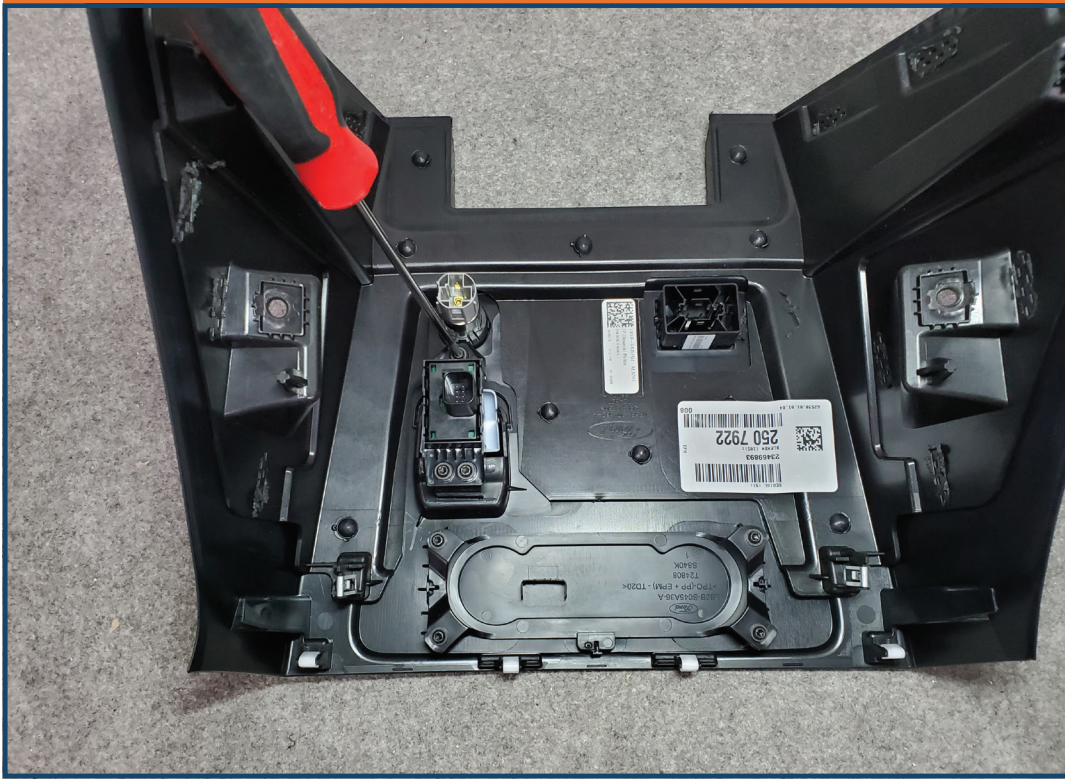


## Step By Step Installation

4

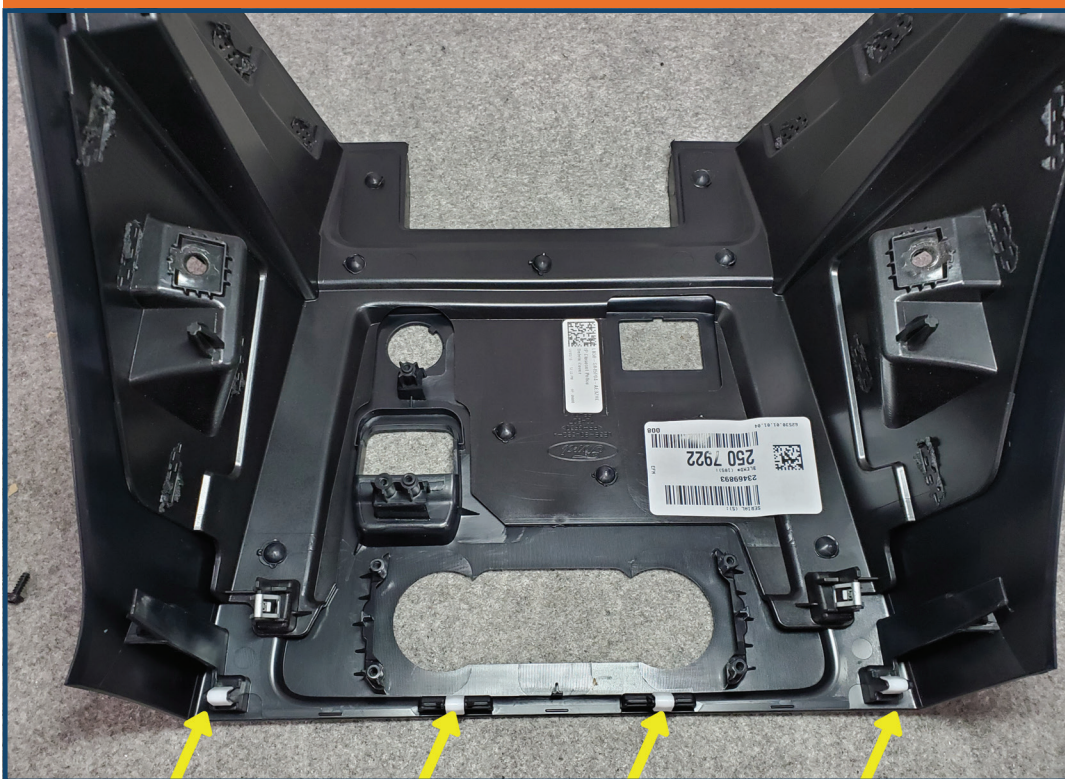
Using a T-20 Torx head tool. Remove OEM Emergency brake switch, rear HVAC control or cover, and lighter plug.

Retain hardware for later use.



5

**NOTE:** The VSX console comes with clips pre-attached. If during the installation those clips are damaged, the OEM clips may be used.





## Step By Step Installation

6

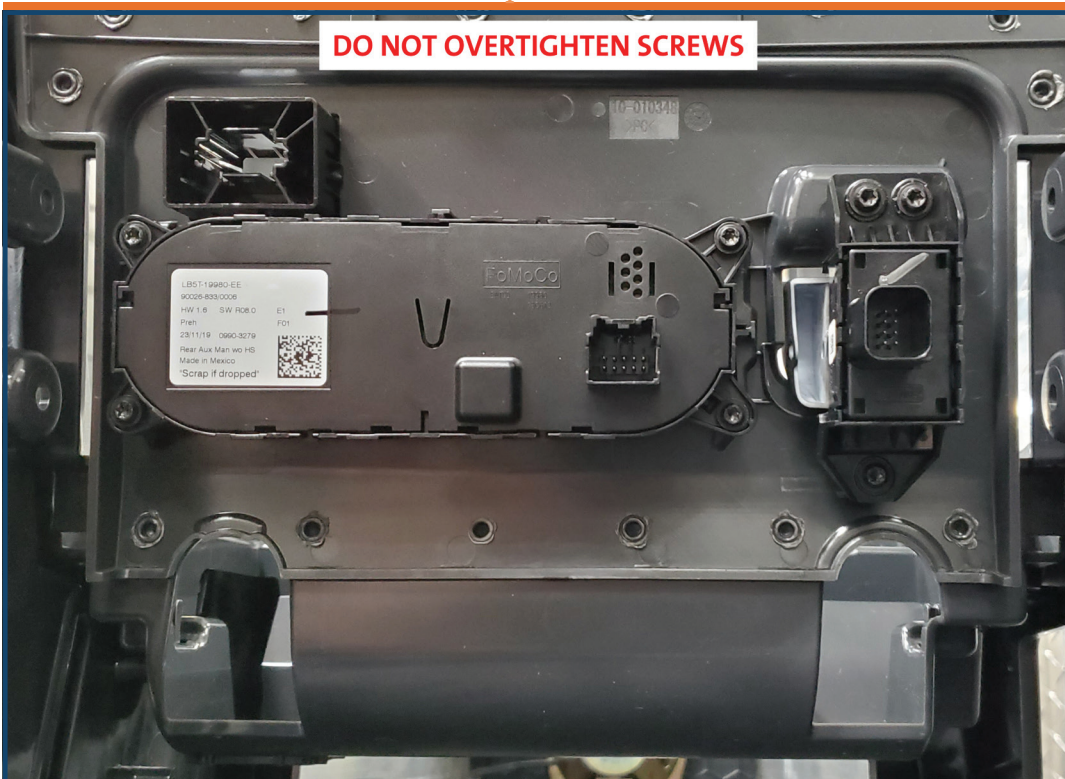
On the rear of the forward section of the Next Gen console, line up the previously removed parts to the mating openings.



7

Fasten the emergency brake switch along with the OEM rear HVAC controller or cover using the previously removed OEM hardware.

**Torque to 12 in-lbs.**



## Step By Step Installation

8

Verify smooth operation of the emergency brake switch.



9

If using optional CM15600-08 fuse block, install on passenger side of console using supplied hardware. **Torque to 12-lbs.**



## Step By Step Installation

10

If using the optional CG-X, attach to the rear, mounting bracket now.  
Holes have been pre-drilled.



11

Place rear, mounting bracket in vehicle over rear mounting studs.



## Step By Step Installation

12

Tighten down the rear bracket on the studs using previously removed OEM M6 nuts.



13

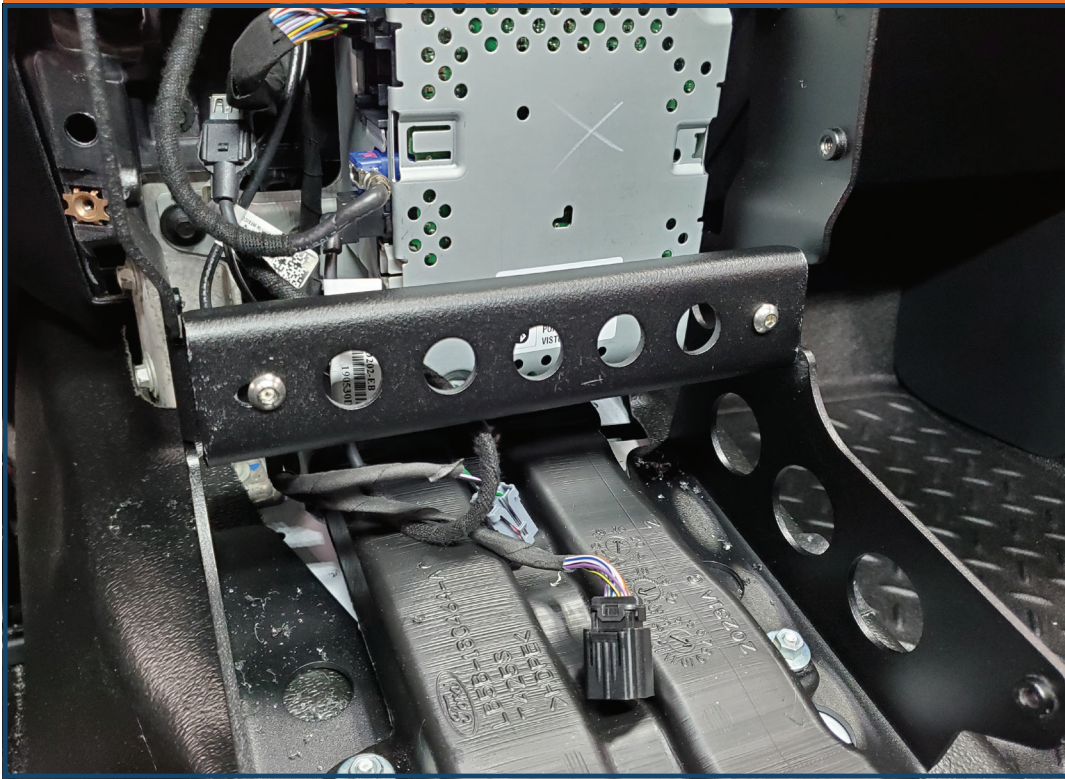
Place the forward mounting brackets under the rear ductwork. Line up the brackets to the OEM studs. Attach using OEM M6 nuts.



## Step By Step Installation

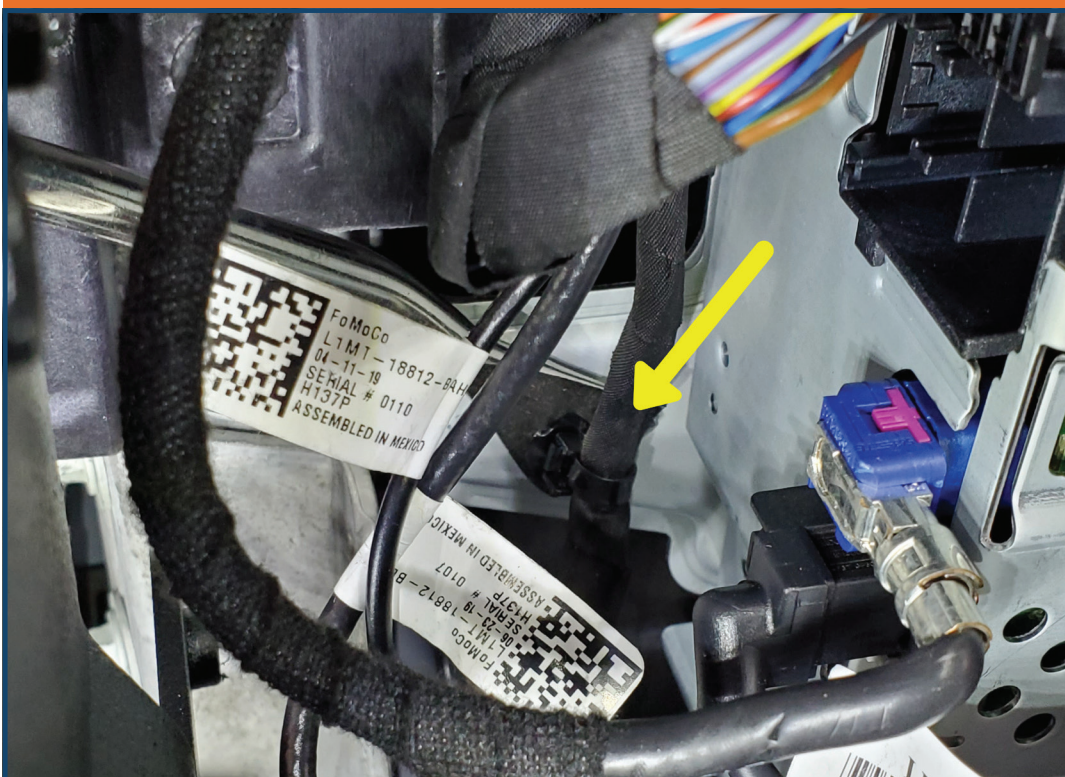
14

Place cross brace between side brackets and attach using supplied hardware. **Torque to 24 in-lbs.**



15

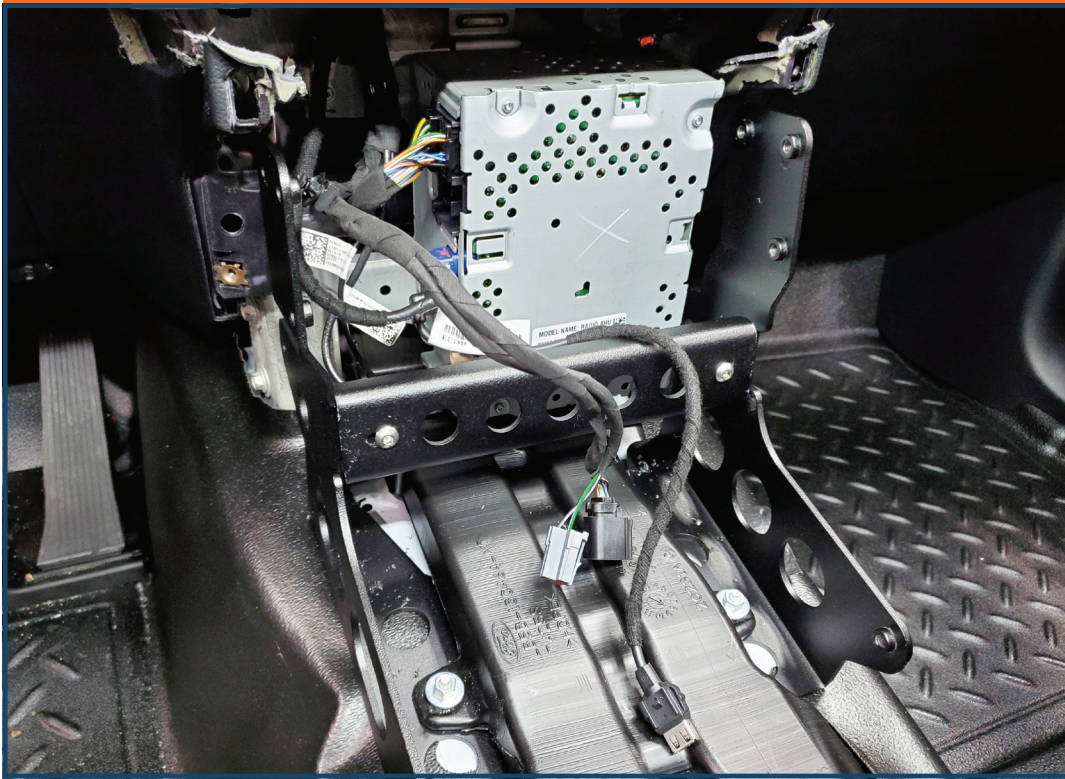
For additional harness length, the OEM harness may be unclipped from the forward brace behind the radio.



## Step By Step Installation

16

Lay OEM harnesses on top of cross brace.



17

The console has provisions for mounting a Motorola speaker on the rear wall. This must be installed prior to placing housing in vehicle.  
**Use supplied M4 x 12mm screws. Torque to 12 in-lbs.**



## Step By Step Installation

- 18** If not using the OEM Ford wiring conduit, install the wire conduit block off plate.



- 19** Install at rear of VSX console using supplied 1/4" x 3/4" Philips head bolts



## Step By Step Installation

- 20** Place console in vehicle over previously installed floor mounting brackets.



- 21** Push console close to dash so that the mounting clips engage flush to the dash. Firm pressure will be required to engage (4) upper clips.

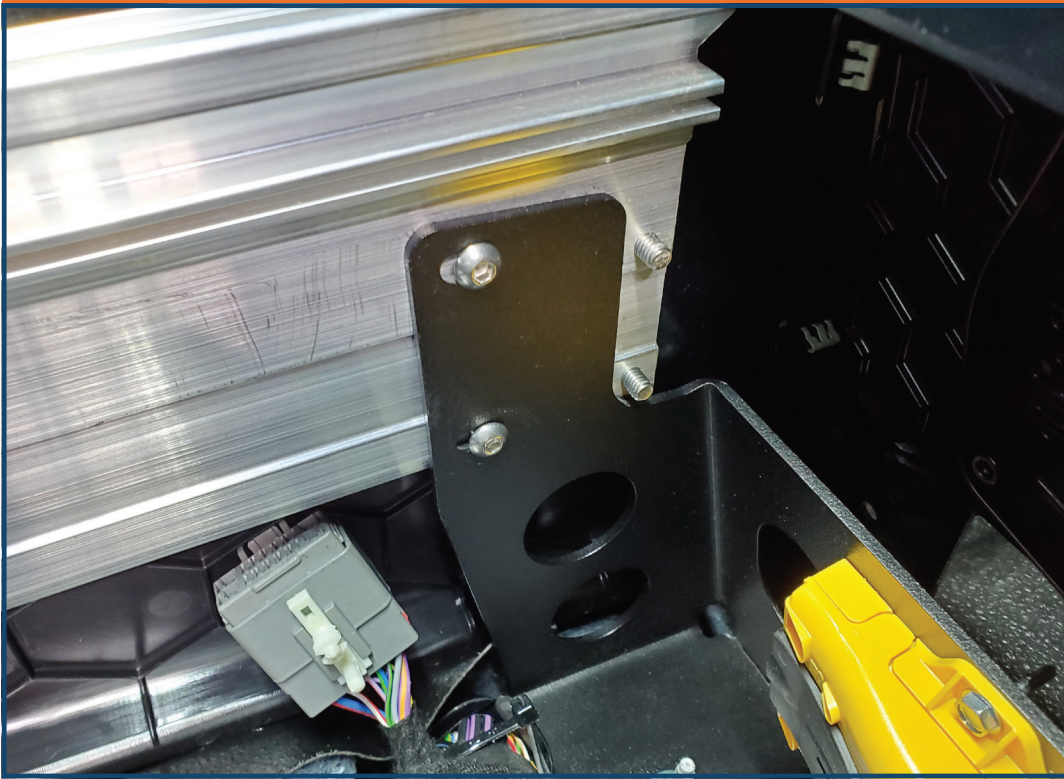




## Step By Step Installation

22

Attach console to rear mounting brackets as shown using supplied hardware. **Torque to 24 in-lbs.**



23

Repeat for other side. **Do not fully tighten hardware!**



## Step By Step Installation

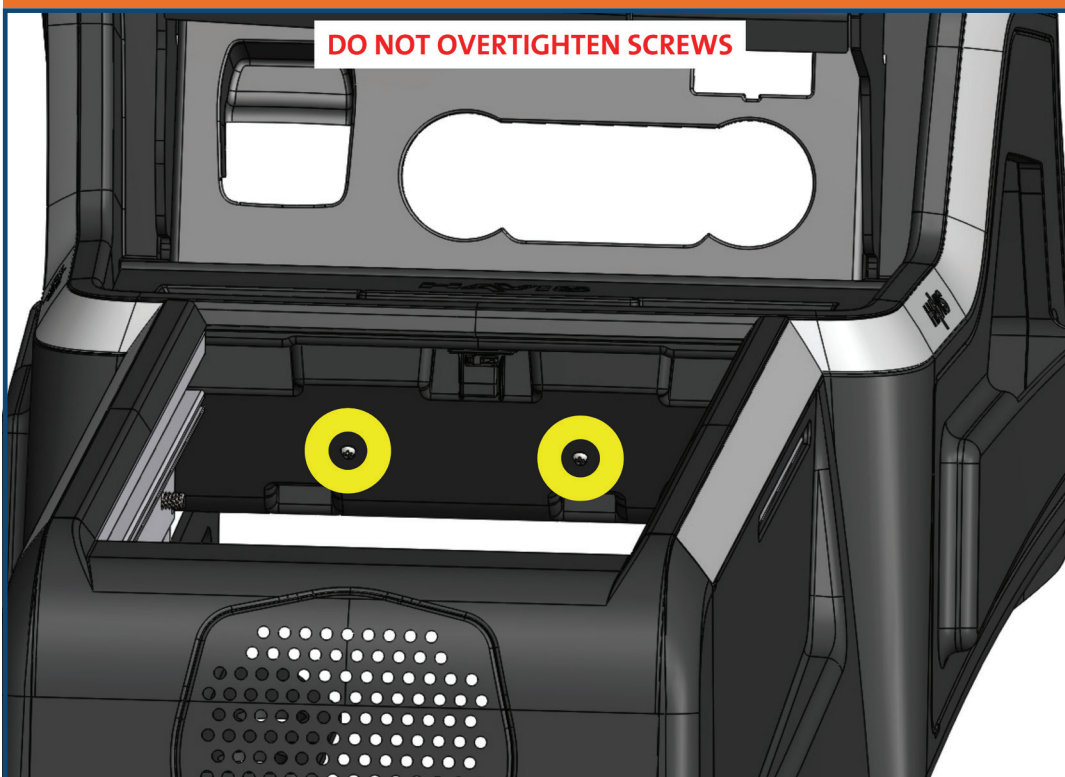
24

Line up console to side floor mounting brackets and loosely install hardware. Do not install upper (2) fasteners. **Torque to 24 in-lbs.**



25

If using printer, run power cable and USB to opening in front, side of console. Attach Pocketjet7 to console using supplied screws as shown.



## Step By Step Installation

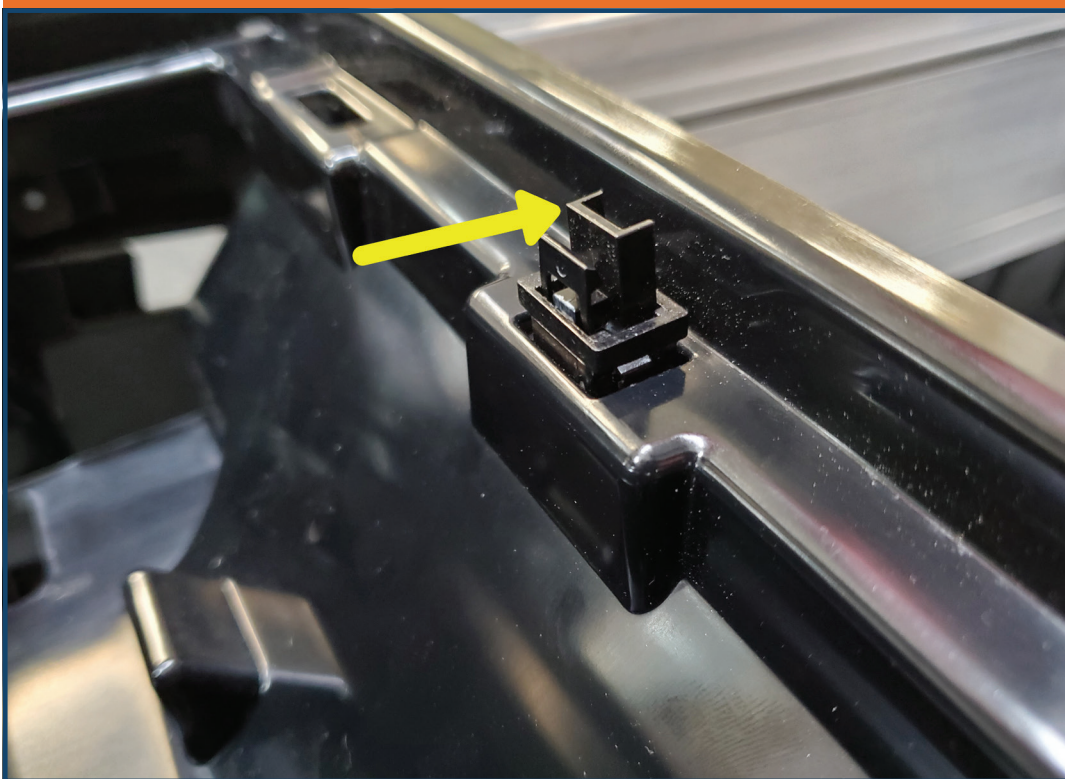
26

If using the C-PMX-101, attach hinge to console using provided T-10 Torx head screws. **Torque to 8 in-lbs.**



27

Snap in latch assembly. Ensure the “U” part of the latch is facing the rear of the console. Press in latch until fully seated in console.



## Step By Step Installation

28

Install paper roll in forward section of console. Feed paper to verify smooth operation. Printer installation is now complete.



29

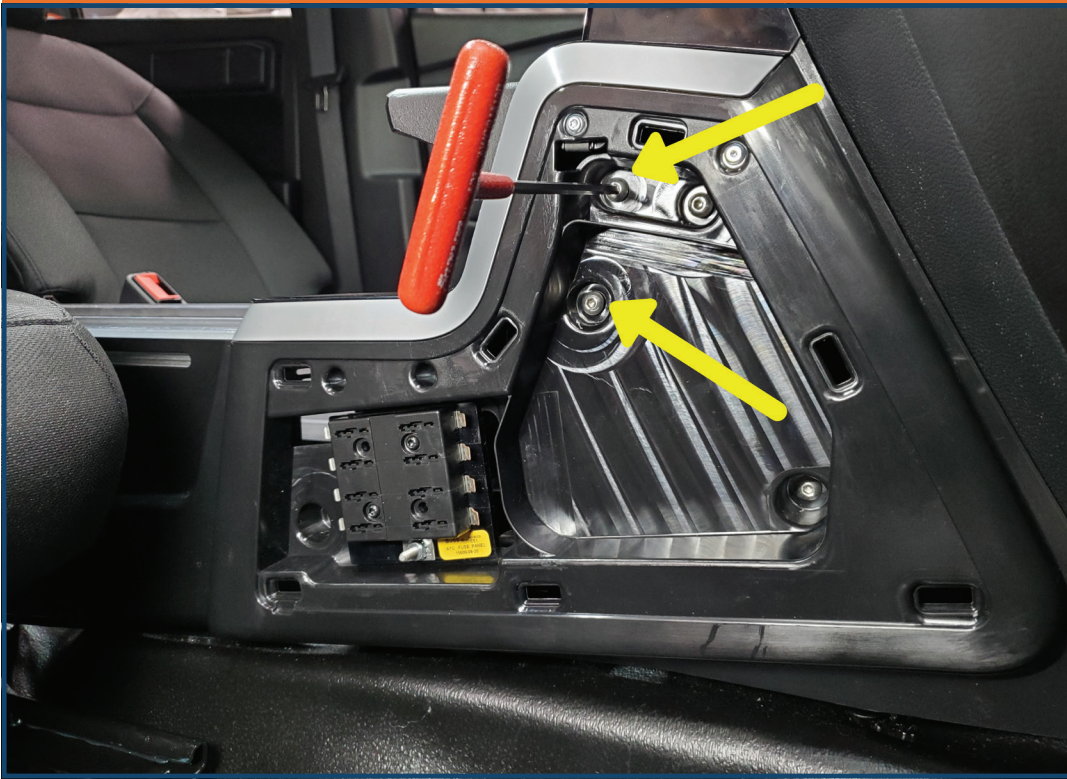
Install mounting hood by lining up with slots in forward section of console.



## Step By Step Installation

30

Line up with upper mounting holes and add hardware. Torque to 24 in-lbs. Repeat for other side.



31

Tighten all remaining hardware. Torque to 24 in-lbs.



## Step By Step Installation

32

Snap side cover panels onto console.



33

Attach previously removed lighter plug to forward accessory panel.  
Mount equipment to opening.



## Step By Step Installation

34

Mount control head using supplied hardware and spacers.  
Whelen control head shown. Assembly may differ depending on manufacturer.



35

Route wiring for accessories, plug in and mount panel in console forward opening.



## Step By Step Installation

36

Press rear section of accessory panel until clips fully engage.



37

Add desired 1/4" nuts to extrusion for mic clip brackets.





## Step By Step Installation

38

Line up trim strips to console and firmly press to engage clips.



39

If not using a lighting control head or printer option. The accessory pocket may be used in its place.



## Step By Step Installation

40

Slide pocket into opening in forward section of console. It should snap into position.



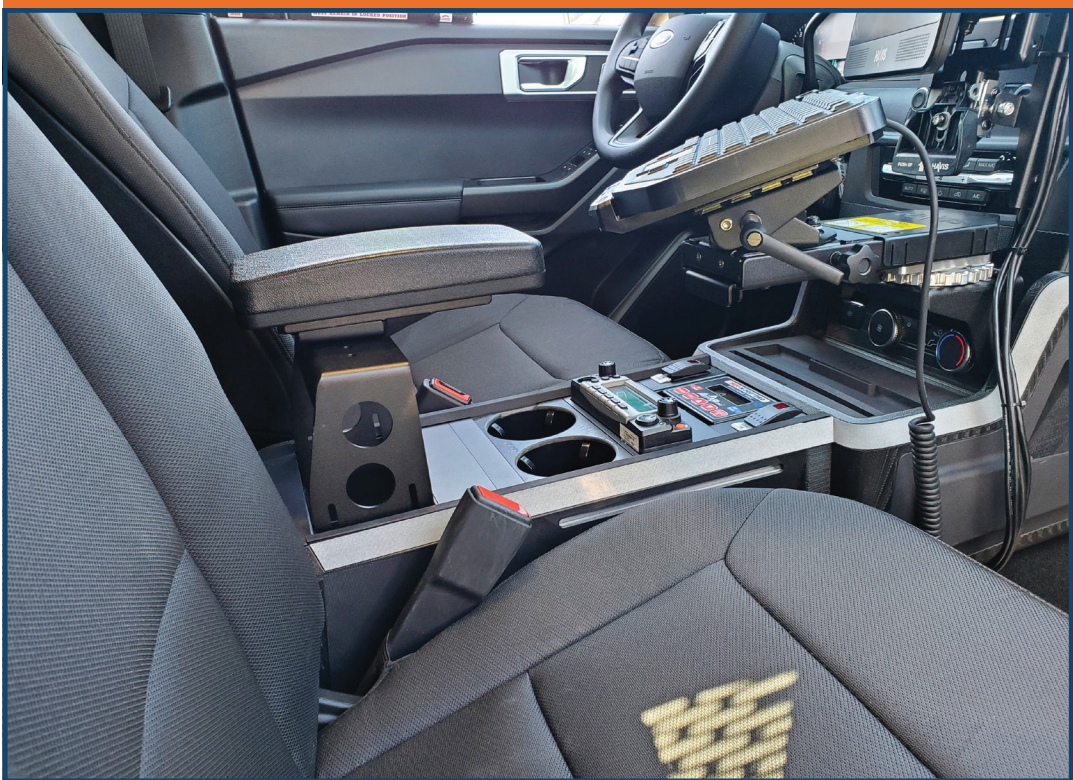
41

Installation is now complete.



# Step By Step Installation

Console shown with TSD-201, C-MD-119, PKG-KB-208, and the C-ARM-109



## Additional Products



### INTERNAL FLIP-UP ARMREST

C-ARM-1001

Internal mount armrest with integrated locking storage pocket



### CHARGE GUARD AUTO SHUT-OFF TIMER

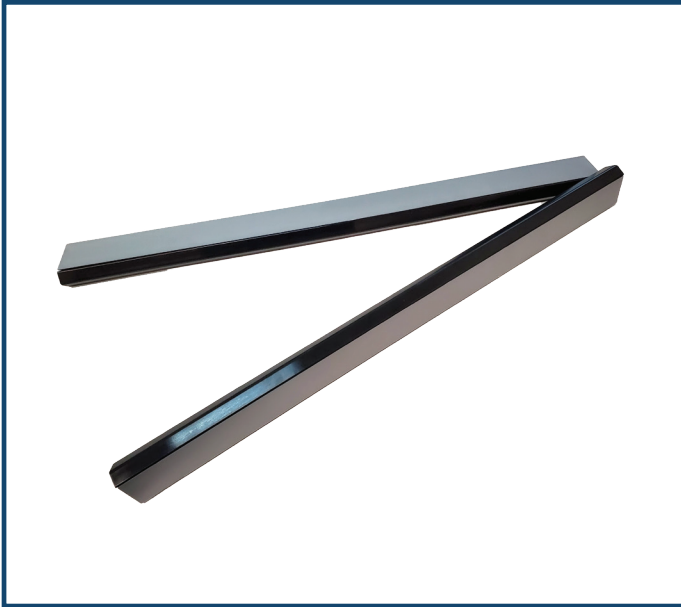
CG-X

Automatic power management system. Automatically turns mobile equipment on when you start the engine.



**Havis, Inc.**  
75 Jacksonville Road  
Warminster, PA 18974  
Telephone: 1-800-524-9900 Fax: 1-215-957 0729  
[www.havis.com](http://www.havis.com)

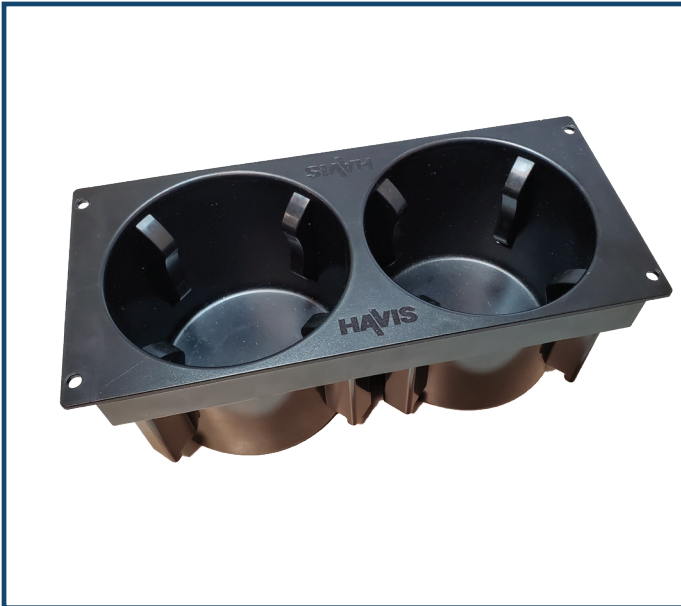
## Additional Products



### REPLACEMENT SIDE TRIM PANELS

23615

Replacement side trim panels for the C-VSX-1800-INUT Series console



### DUAL CUP HOLDER FOR THE VSX CONSOLE

CUP2-1004

Dual internal adjustable cup holder for the VSX console



**Havis, Inc.**  
75 Jacksonville Road  
Warminster, PA 18974  
Telephone: 1-800-524-9900 Fax: 1-215-957 0729  
[www.havis.com](http://www.havis.com)

## Additional Products



### EIGHT POSITION FUSE BLOCK

CMX15600-08

Manage power needs with 8-position fuse block. Uses standard automotive ATO fuses.



### INTERNAL ARMREST WITH INTEGRATED STORAGE POCKET

C-ARM-109

Internal mount armrest with integrated 3.5" accessory pocket



**Havis, Inc.**  
75 Jacksonville Road  
Warminster, PA 18974  
Telephone: 1-800-524-9900 Fax: 1-215-957 0729  
[www.havis.com](http://www.havis.com)

## Additional Products



### DUAL USB CHARGER

C-USB-2

Dual 2.4 amp USB charger.



**Havis, Inc.**  
75 Jacksonville Road  
Warminster, PA 18974  
Telephone: 1-800-524-9900 Fax: 1-215-957 0729  
[www.havis.com](http://www.havis.com)

## Maintenance & Troubleshooting


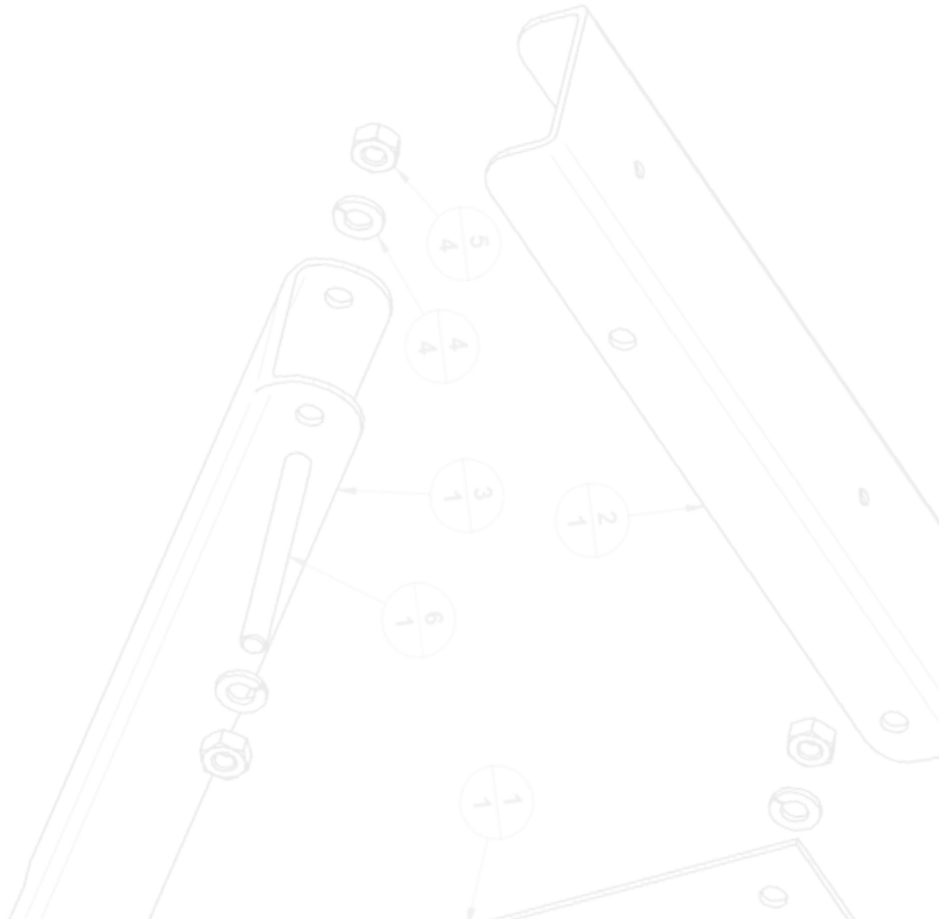
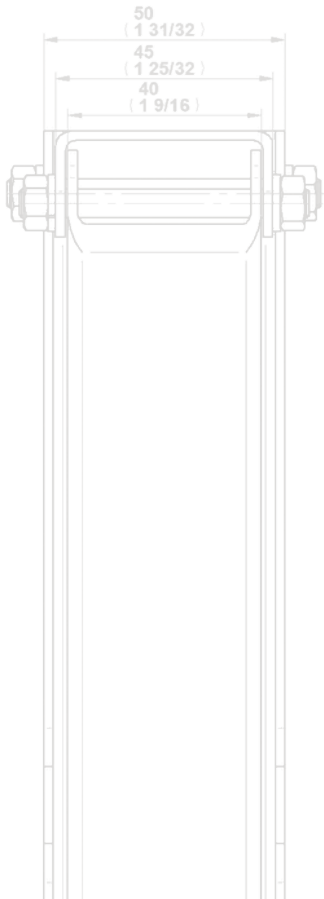
Throughout this install instructions document there have been tips and tricks on what to watch for as you assemble your solution. If you still need help with an issue, feel free to contact our Tech Support team at (800) 524-9900.



## Warranty & Service



Scan this QR code to visit Havis's website to get more details on the warranty coverage Havis offers for these products.



**Havis, Inc.**  
75 Jacksonville Road  
Warminster, PA 18974  
Telephone: 1-800-524-9900 Fax: 1-215-957 0729  
[www.havis.com](http://www.havis.com)