



**ECCO**<sup>®</sup>



# FLEET SOLUTIONS

SOLUTIONS UTILITAIRES

FUHRPARK LÖSUNGEN

# KEEPING YOU SAFE IN THE

SECURISER VOTRE                      SICHERHEIT AM

# WORKPLACE

ENVIRONNEMENT DE TRAVAIL

ARBEITSPLATZ

At ECCO Safety Group we know that the fleet industry is the lifeline that feeds the vital organs of our economy. Vans deliver parcels to homes and businesses, take recovery services to people in need, transport plumbers to our houses and so much more.

ECCO Safety Group offers an extensive line of safety solutions that are ideally suited to fleet vehicles. The range comprises of high intensity LED warning lights to provide a hazard signal to approaching drivers, while our worklamps ensure that even in the lowest visibility, operators can clearly see what they are doing. ECCO Safety Group's reversing safety solutions include back-up alarms to warn other road users and pedestrians of a reversing vehicle, while the camera systems assist the driver in avoiding obstacles in their blind spots.

Chez ECCO Safety Group, nous savons que les véhicules utilitaires participent activement au bon fonctionnement de notre économie. Ce sont des utilitaires qui livrent les colis aux particuliers et aux entreprises, qui permettent aux plombiers d'intervenir dans nos maisons etc.

ECCO Safety Group offre une vaste gamme de solutions de sécurité adaptées aux véhicules utilitaires. La gamme comprend des feux de signalisation LED de haute intensité pour alerter les conducteurs approchant. Nos phares de travail garantissent une luminosité suffisante pour continuer à travailler dans des conditions de visibilité même réduites. Les solutions de sécurité d'ECCO Safety Group incluent des alarmes de recul pour alerter les piétons et les usagers de la route durant les marches arrières, ainsi que des systèmes de caméras de recul pour assister le conducteur.

*Wir bei ECCO Safety Group wissen, das Transportgewerbe bildet die Lebensader für unsere Wirtschaft.*

*Es sind die Lieferfahrzeuge, die täglich Sendungen für den Privat – und Geschäftsbereich zustellen, und Servicefahrzeuge, die im täglichen Einsatz beim Handwerk nicht mehr wegzudenken sind.*

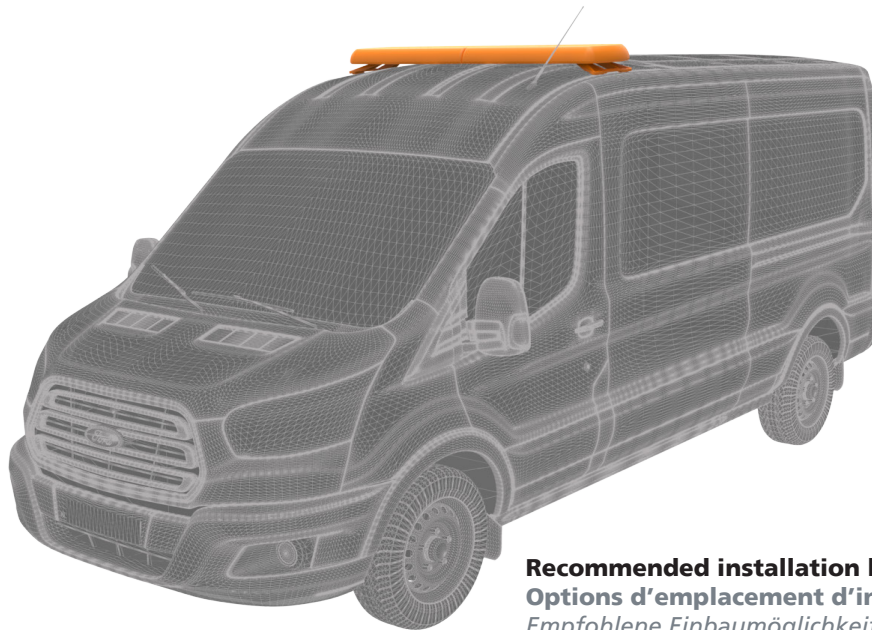
*ESG bietet eine große Palette von Sicherheitslösungen, maßgeschneidert für das Transportgewerbe. Das Programm umfasst sowohl qualitativ hochwertige LED Frontleuchten zur Warnung des entgegenkommenden Verkehrs als auch Rückfahrwarnlösungen, um andere Verkehrsteilnehmer wie Fußgänger auf sich aufmerksam zu machen. Kamerasysteme helfen dem Fahrer, Hindernisse im Tote-Winkel-Bereich rechtzeitig zu erkennen.*



**These are simply a selection of products that we have chosen to suit Fleet Vehicles. For our full comprehensive range, please refer to our websites and catalogues.**

Ce catalogue présente une simple sélection de nos produits dédiés aux véhicules utilitaires. Pour notre gamme complète veuillez consulter nos sites internet et catalogues

*Das sind nur einige Produkte, die wir für Ihr Fahrzeug vorschlagen. Eine umfassende Auswahl finden Sie auf unserer Internetseite und in unseren Katalogen.*



**Recommended installation location options**  
Options d'emplacement d'installation recommandées  
Empfohlene Einbaumöglichkeiten

## 12+ Series

R65 LED Lightbar



**1212mm # 12-30001-E**  
**C** Amber  
**T** 16 LEDs  
**V** 12-24  
**A** 7.2  
 ☑ R65, SAE Class I, CE, R10  
 ⌚ 3 Year



**1372mm # 12-30002-E**  
**C** Amber  
**T** 16 LEDs  
**V** 12-24  
**A** 7.2  
 ☑ R65, SAE Class I, CE, R10  
 ⌚ 3 Year



**1212mm # 12-30004-E**  
**C** Amber  
**T** 16 LEDs, 2 WL, 2 AL  
**V** 12-24  
**A** 11.2  
 ☑ R65, SAE Class I, CE, R10  
 ⌚ 3 Year



**1372mm # 12-30005-E**  
**C** Amber  
**T** 16 LEDs, 2 WL, 2 AL  
**V** 12-24  
**A** 11.2  
 ☑ R65, SAE Class I, CE, R10  
 ⌚ 3 Year

### OPTIONAL ACCESSORY EZ0006

### ACCESSOIRE OPTIONNEL

### AUF WUNSCH ERHÄLTliches



- Convenient and easy control
- 24 built-in flash patterns
- Simply plug-n-play

- Contrôle pratique et facile
- 24 modes de clignotement
- Prêt à l'emploi

- Praktische und einfache Bedienung
- 24 eingebaute Blitzmuster
- Einfach Plug-and-Play

### ADDITIONAL OPTIONS

### OPTIONS ADDITIONELLES

### ZUSATZOPTIONEN



DIRECTIONAL



ICE OPTIC DIRECTIONAL



WORKLAMP/ALLEY LIGHT



STI

# LIGHTBARS

RAMPES LUMINEUSES

LEUCHTBALKEN

## 13 Series

R65 LED Lightbar



- 770mm** # 13-00001-E  
**C** Amber  
**T** 24 LEDs  
**V** 12-24  
**A** 5.6  
 ✓ R10, R65  
 ⌚ 2 Year



- 1000mm** # 13-00003-E  
**C** Amber  
**T** 24 LEDs  
**V** 12-24  
**A** 5.6  
 ✓ R10, R65  
 ⌚ 2 Year



- 1250mm** # 13-00005-E  
**C** Amber  
**T** 24 LEDs  
**V** 12-24  
**A** 5.6  
 ✓ R10, R65  
 ⌚ 2 Year



- 1500mm** # 13-00007-E  
**C** Amber  
**T** 24 LEDs  
**V** 12-24  
**A** 5.6  
 ✓ R10, R65  
 ⌚ 2 Year

## 14 Series AXIOS™

R65 Modular LED Lightbar - "Populate your own bar"



- 1000mm** # 14-10001-V  
**C** Amber  
**T** 4 Directional LEDs  
**V** 12-24  
**A** Max 20  
 ✓ R65, R10  
 ⌚ 5 Year



- 1200mm** # 14-10002-V  
**C** Amber  
**T** 4 Directional LEDs  
**V** 12-24  
**A** Max 20  
 ✓ R65, R10  
 ⌚ 5 Year



- 1000mm** # 14-10005-V  
**C** Amber  
**T** 2 Beacon LEDs  
**V** 12-24  
**A** Max 20  
 ✓ R65, R10  
 ⌚ 5 Year



- 1200mm** # 14-10006-V  
**C** Amber  
**T** 2 Beacon LEDs  
**V** 12-24  
**A** Max 20  
 ✓ R65, R10  
 ⌚ 5 Year

### ADDITIONAL OPTIONS



**DIRECTIONAL**  
 12-24 VDC, 0.5 Amps  
 Amber, Blue, Clear, Green, or Red

### OPTIONS COMPLEMENTAIRES



**WORKLAMP**  
 12-24 VDC, 0.9 Amps



**BEACON**  
 12-24 VDC, 0.5 Amps  
 Amber, Blue, Clear, Green or Red

### ZUSATZOPTIONEN



**ALLEY LIGHT**  
 12-24 VDC, 0.9 Amps



**CENTRE ILLUMINATION**  
 12-24 VDC, 0.3-1.4 Amps

## 15L Series

R65 LED Lightbar



- 980mm** # 15L-01326-V  
**C** Amber  
**T** 12 LEDs with opal centre  
**V** 12-24  
**A** 4.8  
 ☑ R10, R65  
 ⌚ 2 Year Lightbar  
 ⌚ 5 Year Electrical



- 1372mm** # 15L-01328-V  
**C** Amber  
**T** 16 LEDs with opal centre  
**V** 12-24  
**A** 6.4  
 ☑ R10, R65  
 ⌚ 2 Year Lightbar  
 ⌚ 5 Year Electrical



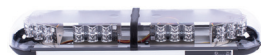
- 1240mm** # 15L-01327-V  
**C** Amber  
**T** 12 LEDs with opal centre  
**V** 12-24  
**A** 4.8  
 ☑ R10, R65  
 ⌚ 2 Year Lightbar  
 ⌚ 5 Year Electrical



- 1500mm** # 15L-01329-V  
**C** Amber  
**T** 16 LEDs with opal centre  
**V** 12-24  
**A** 6.4  
 ☑ R10, R65  
 ⌚ 2 Year Lightbar  
 ⌚ 5 Year Electrical

## 65 Series

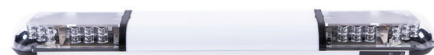
R65 LED Lightbar



- 630mm** # 65-30001-V  
**C** Amber  
**T** 8 LEDs  
**V** 12-24  
**A** 7.2  
 ☑ R65 Class I, R10  
 ⌚ 2 Year Lightbar  
 ⌚ 5 Year Electrical



- 1275mm** # 65-30003-V  
**C** Amber  
**T** 8 LEDs  
**V** 12-24  
**A** 7.2  
 ☑ R65 Class I, R10  
 ⌚ 2 Year Lightbar  
 ⌚ 5 Year Electrical



- 1063mm** # 65-30002-V  
**C** Amber  
**T** 8 LEDs  
**V** 12-24  
**A** 7.2  
 ☑ R65 Class I, R10  
 ⌚ 2 Year Lightbar  
 ⌚ 5 Year Electrical



- 1590mm** # 65-30005-V  
**C** Amber  
**T** 12 LEDs  
**V** 12-24  
**A** 9.6  
 ☑ R65 Class I, R10  
 ⌚ 2 Year Lightbar  
 ⌚ 5 Year Electrical

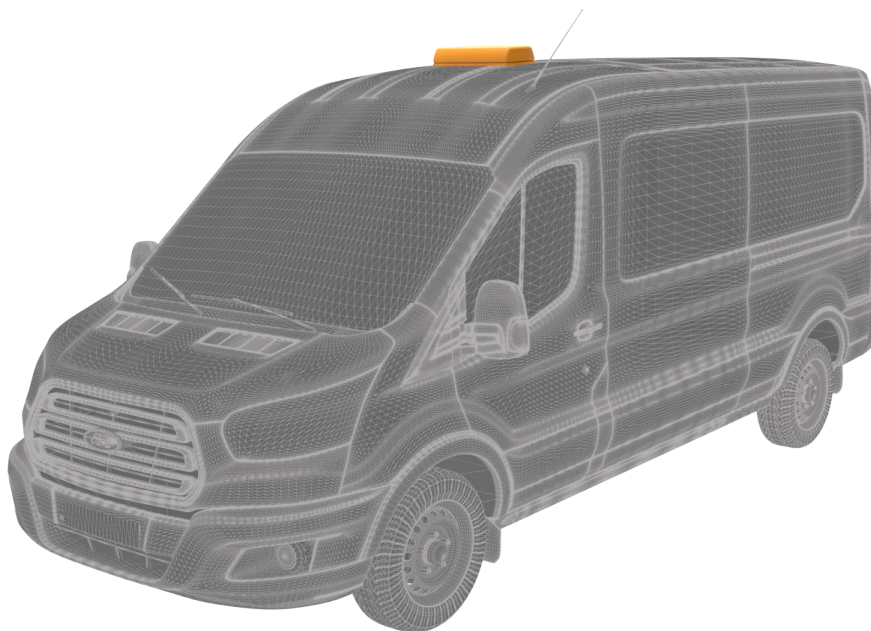
OTHER MOUNT & COLOUR OPTIONS AVAILABLE

DIFFERENTES OPTIONS DE MONTAGES ET DE COULEUR DISPONIBLES  
WEITERE MONTAGE - UND FARBMOGLICHKEITEN ERHALTLICH

# MINIBARS & BEACONS

MINI RAMPES ET GYROPHARES

KLEINE LEUCHTBALKEN & BLITZLEUCHTEN



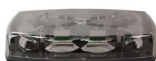
**Recommended installation location options**  
**Options d'emplacement d'installation recommandées**  
*Empfohlene Einbaumöglichkeiten*

## 5565 Series

R65 LED Minibar



**382mm** # 5565A-VA1  
**C** Amber  
**V** 12-24  
**A** 2.7  
**F** 120 FPM x 4  
**X** 1 Bolt  
**⊗** R65, R10, IP65  
**⌚** 3 Year



**382mm** # 5565CA-VA1  
**C** Amber  
**V** 12-24  
**A** 2.7  
**F** 120 FPM x 4  
**X** 1 Bolt  
**⊗** R65, R10, IP65  
**⌚** 3 Year

## A500 Series

R65 LED Minibar



**248mm** # A511.00.LDV  
**C** Amber  
**V** 12-24  
**A** 2.3  
**F** 120 FPM x 2  
**X** 1 Bolt  
**⊗** R65, R10  
**⌚** 3 Year



**400mm** # A551.00.LDV  
**C** Amber  
**V** 12-24  
**A** 3.1  
**F** 120 FPM x 2  
**X** 1 Bolt  
**⊗** R65, R10, IP65  
**⌚** 3 Year

## 5550 Series

R65 LED Microbar



**278mm** # 5550A-VA1  
**C** Amber  
**V** 12-24  
**A** 2.7  
**F** 120 FPM x 4  
**X** 1 Bolt  
**⊗** R65, R10, IP65,  
 CE, RoHS  
**⌚** 3 Year



**278mm** # 5550CA-VA1  
**C** Amber  
**V** 12-24  
**A** 2.7  
**F** 120 FPM x 4  
**X** 1 Bolt  
**⊗** R65, R10, IP65,  
 CE, RoSH  
**⌚** 3 Year

## A491 Series

R65 LED Minibar



**420mm** # A491.00.LDV  
**C** Amber  
**V** 12-24  
**A** 1.0  
**F** 120 FPM x 2  
**X** 1 Bolt  
**⊗** R65, R10  
**⌚** 3 Year



**420mm** # A491.40.LDV  
**C** Amber  
**V** 12-24  
**A** 1.0  
**F** 120 FPM x 2  
**X** 1 Bolt  
**⊗** R65, R10  
**⌚** 3 Year

OTHER MOUNT & COLOUR OPTIONS AVAILABLE

DIFFERENTES OPTIONS DE MONTAGES ET DE COULEUR DISPONIBLES  
 WEITERE MONTAGE - UND FARBMOEGLICHKEITEN ERHALTLICH

## 400 Series

R65 LED Beacons



# V11052

- C Amber
- V 12-24
- A 0.7
- F 125 FPM
- X 1 Bolt
- ⊕ R65, R10
- ⌚ 3 Year



# V11053

- C Amber
- V 12-24
- A 0.7
- F 125 FPM
- X Magnetic
- ⊕ R65, R10
- ⌚ 3 Year

## DB5000 Series

R65 LED Beacons



# DB5007A

- C Amber
- V 12-24
- A 1.4
- F 125 FPM x 2
- X Flexi 1 Bolt
- ⊕ R65, R10, IP65
- ⌚ 2 Year



# DB5004A

- C Amber
- V 12-24
- A 1.4
- F 125 FPM x 2
- X Magnetic
- ⊕ R65, R10, IP65
- ⌚ 2 Year

## B190 Series

R65 LED Beacons



# B190.00.LDV

- C Amber
- V 12-24
- A 0.7
- F 125 FPM x 2
- X 3 Bolt
- ⊕ R65, R10
- ⌚ 3 Year



# B194.70.LDV

- C Amber
- V 12-24
- A 0.7
- F 125 FPM x 2
- X Magnetic
- ⊕ R65, R10
- ⌚ 3 Year



# EB7181CA

- C Amber
- V 12-24
- A 6.2
- F 125 FPM
- X 4 Bolt
- ⊕ R65 Class I, R10, IP55
- ⌚ 3 Year



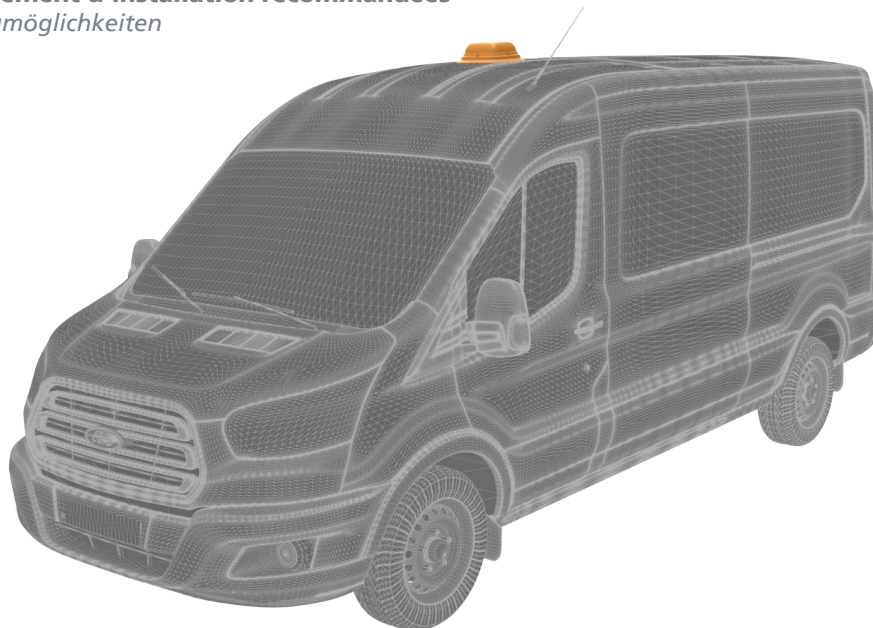
# EB7186AAA

- C Amber
- V 12-24
- A 8.6
- F 125 FPM
- X 4 Bolt
- ⊕ R65 Class II, R10, IP55
- ⌚ 3 Year

### Recommended installation location options

Options d'emplacement d'installation recommandées

Empfohlene Einbaumöglichkeiten



OTHER MOUNT & COLOUR OPTIONS AVAILABLE

DIFFERENTES OPTIONS DE MONTAGES ET DE COULEUR DISPONIBLES  
WEITERE MONTAGE - UND FARBMOGLICHKEITEN ERHÄLTICH

# DIRECTIONALS & WHITE LIGHTING

FEUX DE BALISAGE ET ÉCLAIRAGE BLANC

LED – BLITZMODULE/KENNZEICHENLEUCHTEN



## # ED5100CA

- C Amber
- V 10-30
- A 1.2
- X Surface/Bracket
- ⊗ R65, R10, IP67
- ⌚ 3 Year

### AVAILABLE COLORS

Amber, Blue, Red & Amber/Blue



## # 3812A

- C Amber
- V 12-48
- A 0.4
- X Surface/Bracket
- ⊗ R65, R10
- ⌚ 3 Year

### AVAILABLE COLORS

Amber, Blue, Clear & Red



## # ED5000A

- C Amber
- V 12-24
- A 1.5
- X Surface/Bracket
- ⊗ R65, R10, IP67
- ⌚ 2 Year

### AVAILABLE COLORS

Amber, Blue, Clear & Red



## # L94.00.LDV

- C Amber
- V 12-24
- A 1.2
- X Flush
- ⊗ R65, R10, IP67
- ⌚ 3 Year

### AVAILABLE COLORS

Amber, Blue



## # ED3701A Single - or split-colour

- C Amber
- V 12-24
- A 0.9
- X Surface
- ⊗ R65, R10
- ⌚ 3 Year

### AVAILABLE COLORS

Amber, Blue, Clear, Green & Red



## # ED3706A Solid - or split-colour

- C Amber
- V 12-24
- A 0.9
- X Multi
- ⊗ R65, R10, IP67
- ⌚ 3 Year

### AVAILABLE COLORS

Amber, Blue, Clear, Green & Red



## # L95.00.LDV

- C Amber
- V 12-24
- A 0.6
- X Surface
- ⊗ R65, R10, IP67
- ⌚ 3 Year

### AVAILABLE COLORS

Amber, Blue



## # L96.00.LDV

- C Amber
- V 12-24
- A 0.3
- X Surface
- ⊗ R65, R10, IP67
- ⌚ 3 Year

### AVAILABLE COLORS

Amber, Blue



Where applicable, change A in part number to available colour



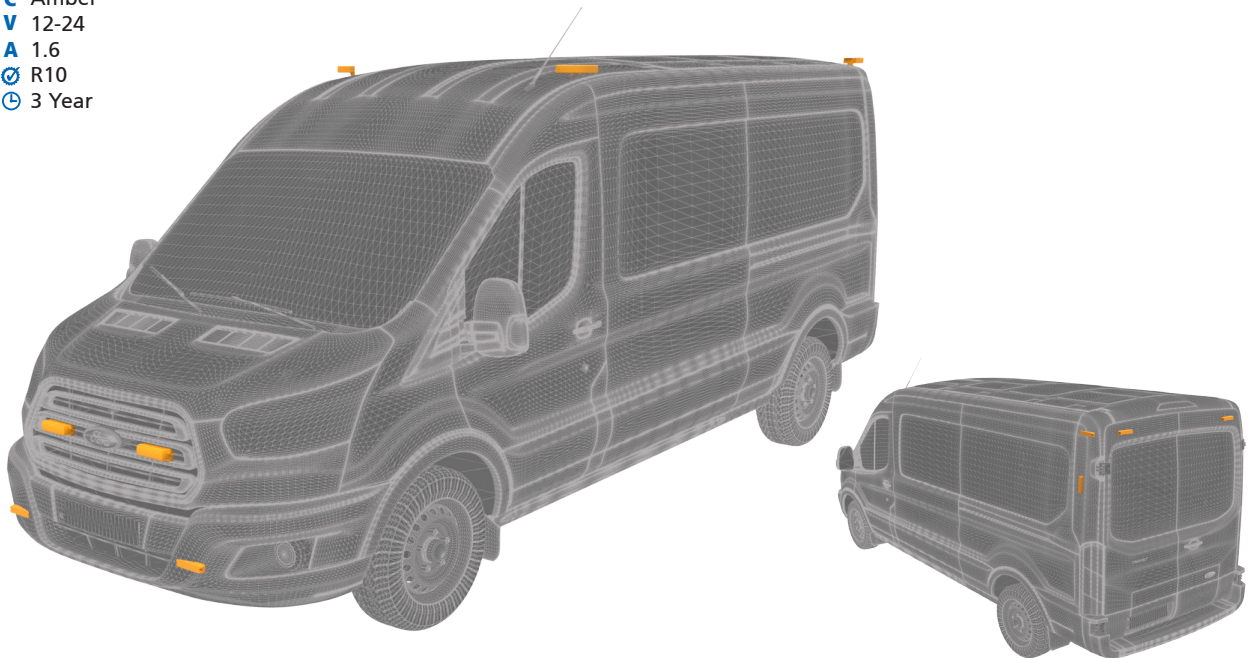
## # ED3315A

- C Amber
- V 12-24
- A 1.6
- ⊗ R10
- ⌚ 3 Year

### Recommended installation location options

Options d'emplacement d'installation recommandées

Empfohlene Einbaumöglichkeiten

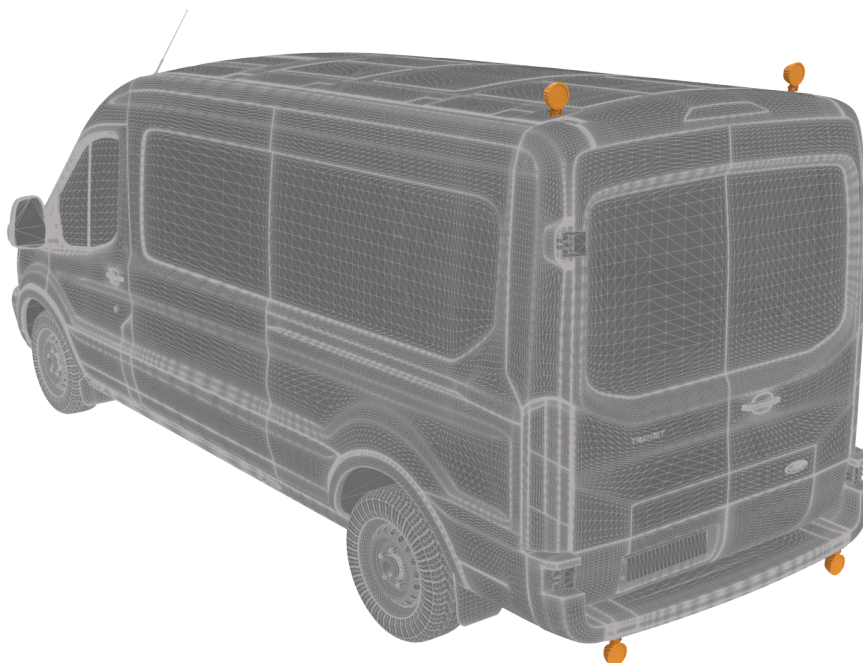


OTHER MOUNT & COLOUR OPTIONS AVAILABLE

DIFFÉRENTES OPTIONS DE MONTAGES ET DE COULEUR DISPONIBLES  
WEITERE MONTAGE - UND FARBMOGLICHKEITEN ERHÄLTICH



**Recommended installation location options**  
Options d'emplacement d'installation recommandées  
Empfohlene Einbaumöglichkeiten



# EW2019  
V 12-24  
A 0.4  
L 600 Raw, 550 Effective  
Flood  
CE, IP67, RoHS  
3 Year



# EW2471  
V 12-24  
A 1.2  
L 550 Raw, 500 Effective  
Flood  
CE, R10, IP67  
3 Year



# EW2481  
V 12-24  
A 1.2  
L 600 Raw, 600 Effective  
Flood  
CE, R10, IP67  
3 Year



# EW2491  
V 12-24  
A 1.2  
L 550 Raw, 450 Effective  
Flood  
CE, R10, IP67  
3 Year



# EW2411  
V 12-24  
A 1.3  
L 1000 Raw, 900 Effective  
Flood  
IP67, CE, R10  
3 Year



# EW2451  
V 12-24  
A 2.2  
L 1300 Raw, 1100 Effective  
Flood  
CE  
3 Year



# EW2461  
V 12-24  
A 3.2  
L 650 Raw, 600 Effective  
Flood  
CE, IP67  
1 Year



# EW5430  
V 10-30  
A 2.4  
L 2400 Effective  
Main Beam Headlamp  
CE, R10, R112, IP68  
2 Year

OTHER LENGTH & TYPE OPTIONS AVAILABLE

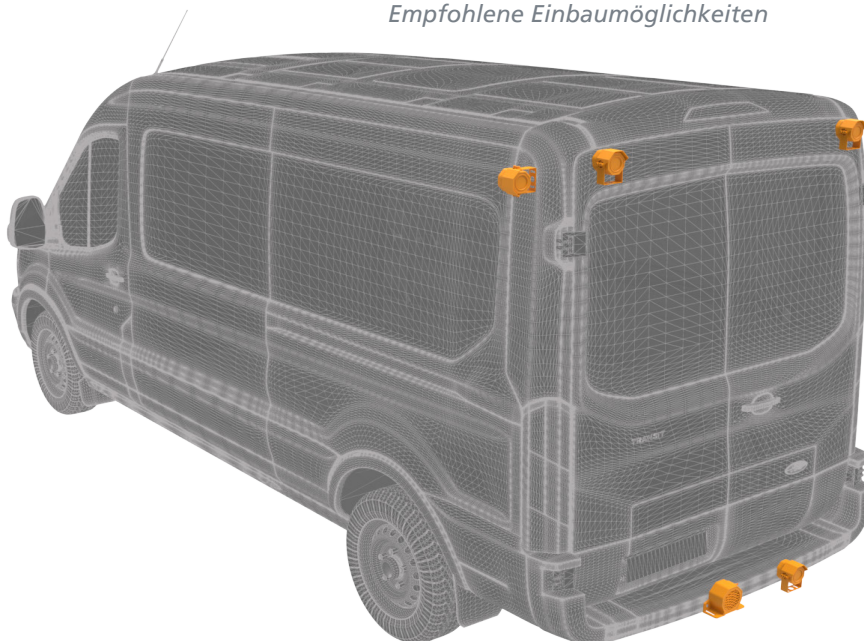
AUTRES LONGUEURS ET OPTIONS DISPONIBLES  
WEITERE LÄNGEN UND TYPEN ERHÄLTICH

# CCTV, ALARMS & INTERIOR LIGHTS

CCTV, SYSTÈMES D'ALARME ET ECLAIRAGE INTÉRIEUR

KAMERASYSTEME, ALARME & INNENBELEUCHTUNG

**Recommended installation location options**  
**Options d'emplacement d'installation recommandées**  
*Empfohlene Einbaumöglichkeiten*



**OFFICIAL FORS  
 ASSOCIATE SUPPLIER**



**EC7000B-WK** *Geminyc*  
 \*7.0" LCD colour system  
 2.4 GHz digital wireless system  
 Internal controller  
 Includes monitor sunshade  
 Two camera expandable  
 Wireless system - reduces  
 installation time  
 One year warranty



**K7000B** *Geminyc*  
 \*7" LCD colour system  
 CMOS 18 LED infrared  
 camera  
 Includes monitor  
 sunshade  
 Two camera expandable  
 One year warranty



**EK5001-FORS**  
 \*7" LCD TFT colour screen  
 3 Camera Kit, M1 DVR  
 GPS for location tracking  
 Adjustable image & recording  
 quality, 64GB class 10 SD card  
 4 sensors with audible  
 warning and display overlay  
 One year warranty



**EK5002-FORS**  
 \*7" LCD Touch colour screen  
 3 Camera Kit, M1 DVR  
 GPS for location tracking  
 Adjustable image & recording  
 quality, 64GB class 10 SD card  
 4 sensors with audible  
 warning and display overlay  
 One year warranty



**# 505-001**  
**V** 12-24  
**dB(A)** 87  
**A** 0.1  
**X** 2 Bolt  
 CE, e, UL, AMECA  
 2 Year



**# SA950** **SMART ALARM**  
**V** 12-24  
**dB(A)** 82-102  
**A** 0.4  
**X** 2 Bolt  
 CE, R10, UL, IP65  
 2 Year



**# 901N-001** **SMART ALARM**  
**V** 12-24  
**dB(A)** 82-107  
**A** 0.3  
**X** 2 Bolt  
 CE, R10, UL, IP64  
 ECCOLIFE™



**# EA9724** **SMART ALARM** **MULTI**  
**V** 12-24  
**dB(A)** 77-97  
**A** 0.7  
**X** 2 Bolt  
 SAE J994 Type F,  
 CE, R10, AMECA  
 ECCOLIFE™

\*Traduction disponible  
 \*Übersetzung verfügbar

**OTHER CCTV & ALARM OPTIONS AVAILABLE**

DIFFERENTS CCTV ET OPTIONS  
 ANDERE KAMERASYSTEME UND ALARME ERHÄLTICH

## Interior Lighting



- 12"**  
**# EW0116**  
 T 18 LED  
 V 12  
 A 0.4  
 L 350 Raw, 350 Effective  
 Flood  
 CE, RoHS, IP65  
 3 Year



- 24"**  
**# EW0127**  
 T 36 LED  
 V 24  
 A 0.4  
 L 700 Raw, 700 Effective  
 Flood  
 CE, RoHS, IP65  
 3 Year



- 4.5" CLEAR**  
**# EW0310**  
 T 4 LED  
 V 12-24  
 A 0.1  
 L 100 Raw, 100 Effective  
 Flood  
 CE, RoHS  
 3 Year



- 7" CLEAR**  
**# EW0320**  
 T 8 LED  
 V 12-24  
 A 0.1  
 L 200 Raw, 200 Effective  
 Flood  
 CE, RoHS,  
 3 Year



- 14" MODULAR FROST**  
**# EW0351**  
 T 16 LED  
 V 12  
 A 0.5  
 L 300 Raw, 250 Effective  
 Flood  
 CE, RoHS  
 3 Year



**CONNECT  
MULTIPLE UNITS  
TOGETHER**



Multiple lengths available



- 13"**  
**# EW0700**  
 T 6 LED  
 V 12-24  
 A 0.5  
 L 400 Raw, 350 Effective  
 Flood  
 CE, RoHS  
 3 Year



- 22"**  
**# EW0701**  
 T 12 LED  
 V 12-24  
 A 0.9  
 L 1250 Raw, 1200 Effective  
 Flood  
 CE, RoHS  
 3 Year



- 5.5"**  
**# EW0400**  
 T 10 LED  
 V 12-24  
 A 0.4  
 L 200 Raw, 200 Effective  
 Flood  
 CE, R10, RoHS, IP64  
 3 Year



- 12"**  
**# EW0401**  
 T 22 LED  
 V 12-24  
 A 0.7  
 L 450 Raw, 450 Effective  
 Flood  
 CE, R10, RoHS, IP64  
 3 Year



**Recommended installation location options**  
**Options d'emplacement d'installation recommandées**  
*Empfohlene Einbaumöglichkeiten*

OTHER LENGTH & TYPE OPTIONS AVAILABLE

AUTRES LONGUEURS ET OPTIONS DISPONIBLES  
 WEITERE LÄNGEN UND TYPEN ERHÄLTICH

# ESG<sup>®</sup>

ECCO SAFETY GROUP



Distributed by:  
Distribué par:  
Erhältlich von:

**ESG<sup>®</sup>**  
ECCO SAFETY GROUP



European Headquarters: Unit 1, Green Park, Coal Road, Leeds, LS14 1FB  
+44 (0)113 237 5340 | [sales@eccogroup.com](mailto:sales@eccogroup.com) | [www.eccolink.co.uk](http://www.eccolink.co.uk)

A Division of ESG | [www.eccosafetygroup.com](http://www.eccosafetygroup.com)

MKT004