



ECCO®



AIRPORT SOLUTIONS

SOLUTIONS POUR LES AÉROPORTS

LÖSUNGEN FÜR FLUGHÄFEN

KEEPING YOU SAFE IN THE

AU SERVICE DE VOTRE SECURITE SICHERHEIT AM

WORKPLACE

EN OPERATION ARBEITSPLATZ

At ECCO Safety Group, we understand the importance of safety to the Aviation Industry, especially airport ground support vehicles. Speed, efficiency, and accuracy are important in ground handling services in order to minimise turnaround time. Safety is first and foremost in the Aviation Industry and lighting is a crucial aspect of safety as many hours of work are spent in the dark. You need equipment that lets you take care of business safely – rain or shine, night or day. With an ECCO solution, you can. The materials used by ECCO meet the requirements of both CAP168 (Civil Aviation Authority – CAA) & ICAO (Federal Aviation Administration – FAA) which set out the standards relating to management systems, operational procedures, visual aids and much more.

Chez ECCO Safety Group nous comprenons bien l'importance de sécurité dans l'industrie de l'aviation. En particulier pour les véhicules d'assistance au sol dans les aéroports. La rapidité, l'efficacité et la précision sont importantes dans les services d'assistance au sol afin de minimiser les délais. La sécurité est priorité dans l'industrie aéronautique et la signalisation lumineuse joue un rôle primordial dans cet aspect puisque pendant de longues heures le travail se passe dans l'obscurité. Vous avez besoin d'équipements qui vous permettent de vous occuper de votre business en toute sécurité dans toutes les conditions. Que ce soit en pluie ou en plein de soleil, dans le noir ou dans la journée. Avec les solutions offertes par ECCO vous pouvez en être sûr. Les produits d'ECCO répondent aux exigences des normes CAP168 (L'Autorité de l'Aviation Civile – CAA) et des normes ICAO (Fédération de l'Administration de l'Aviations – FAA) qui définissent les normes relatives aux systèmes de gestion, aux procédures opérationnelles, aux aides visuelles etc.

Wir von der ECCO Gruppe verstehen, wie wichtig Sicherheit für die Luftfahrtindustrie ist, insbesondere für Fahrzeuge, welche am Flughafen im Einsatz sind. Geschwindigkeit, Effizienz und Genauigkeit sind am Boden unerlässlich, um die Umschlagszeit so kurz wie möglich zu halten. Sicherheit geht vor, vor allem in der Luftfahrtindustrie, und eine gute Beleuchtung ist ein ausschlaggebender Sicherheitsaspekt, da viele Stunden bei Nacht gearbeitet wird. Sie benötigen das passende Equipment, um Ihre Arbeit sicher ausführen zu können – bei Regen oder Sonnenschein, Tag oder Nacht. ECCO bietet Ihnen dazu die passenden Lösungen. Die von ECCO verwendeten Materialien entsprechen den Anforderungen von CAP168 (Civil Aviation Authority – CAA) und ICAO (Federal Aviation Administration – FAA), welche die Standards sind für Managementsysteme, Arbeitsabläufe, visuelle Hilfsmittel und vieles mehr.



These are simply a selection of products that we have chosen to suit Airport Vehicles. For our full comprehensive range, please refer to our websites and catalogues.

Ce n'est qu'un sélection de nos produits pour les véhicules d'assistance dans l'aéroport. Pour notre gamme complète, veuillez vous référer à notre site internet et nos catalogues.

Dies ist eine Auswahl an Produkten, welche den Anforderungen für Flughafenfahrzeuge entsprechen. Unsere komplette Produktpalette finden Sie auf unserer Website und in unseren Katalogen.

SYMBOL GUIDE:

C	T	V	A	F	L	#	dB(A)				
Colour	Type	Volts	Amps	FPM	Length/ Lumens	Part No.	Decibels	Beam Pattern	Mount	Warranty	Approval

FOR MORE INFORMATION VISIT

ECCOESG.CO.UK

SLEEK. INTUITIVE. COMPREHENSIVE



WHY ECCO PRODUCTS **INDUSTRY** RESOURCES 

SMOOTH SAFETY, SMOOTH RUNWAY.

At ECCO we understand the most serious hazards associated with working in airports are encountered on the tarmac. That's why ECCO products meet the specific safety requirements of CAP168 & ICAO regulations.



REAR VIEW

MADE TO YOUR SPECIFIC NEEDS

TUG 

[VIEW ALL TUG PRODUCTS](#)



ICAO BEACONS
400 SERIES STATIC FLASH ICAO



FEATURED
3812 SURFACE MOUNT LED



PREMIUM CHOICE
EQUINOX™ SQUARE LED WORKLAMP

POUR PLUS D'INFORMATIONS VISITEZ LE NOUVEAU SITE ECCOESG.CO.UK, ATTRAYANT. INTUITIF. COMPLET

FÜR WEITERE INFORMATIONEN BESUCHEN SIE UNSERE NEUE WEBSITE ECCOESG.CO.UK

BEACONS & LIGHTBARS

GYROPHARES ET RAMPES LUMINEUSES

RUNDUMLEUCHTEN UND LEUCHTBALKEN

400 Series

Static Flash LED Beacons



V11050.168

C Amber
V 12-24
A 2.0
F 60 FPM
X 3 Bolt
⊗ R10, CAP168
⌚ 3 Year



V11052.168

C Amber
V 12-24
A 2.0
F 60 FPM
X 1 Bolt
⊗ R10, CAP168
⌚ 3 Year



V11054.168

C Amber
V 12-24
A 2.0
F 60 FPM
X Mag 70
⊗ R10, CAP168
⌚ 3 Year



V11055.168

C Amber
V 12-24
A 1.9
F 60 FPM
X Flexi DIN Pole
⊗ R10, CAP168
⌚ 3 Year



V11050-ICAO

C Amber
V 12-24
A 2.0
F 60 FPM
X 3 Bolt
⊗ R10, ICAO
⌚ 3 Year



V11052-ICAO

C Amber
V 12-24
A 2.0
F 60 FPM
X 1 Bolt
⊗ R10, ICAO
⌚ 3 Year



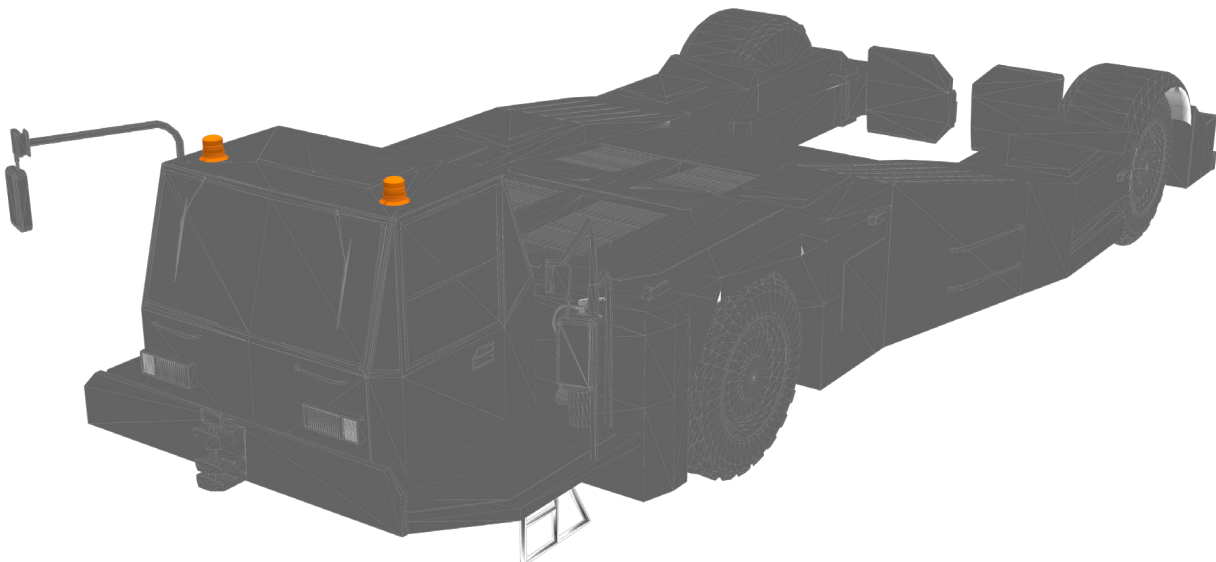
V11054-ICAO

C Amber
V 12-24
A 2.0
F 60 FPM
X Mag 70
⊗ R10, ICAO
⌚ 3 Year



V11055-ICAO

C Amber
V 12-24
A 2.0
F 60 FPM
X Flexi DIN Pole
⊗ R10, ICAO
⌚ 3 Year



Recommended installation location options

Options d'emplacement d'installation recommandées

Empfohlene Anbauposition

OTHER MOUNT & COLOUR OPTIONS AVAILABLE

DIFFERENTES OPTIONS DE MONTAGES ET DE COULEUR DISPONIBLES
WEITERE MONTAGE - UND FARBMOEGLICHKEITEN ERHALTLICH

ECCOESG.CO.UK



ESGEMEA



esg-emea



ESG_EMEA



ESG EMEA



esg_emea

12+ Series

R65 LED Lightbar



AVAILABLE COLOURS

Amber, Blue, Green, Red, White, Amber/White, Amber/Blue, Red/White, Blue/White, Amber/Red, Red/Blue



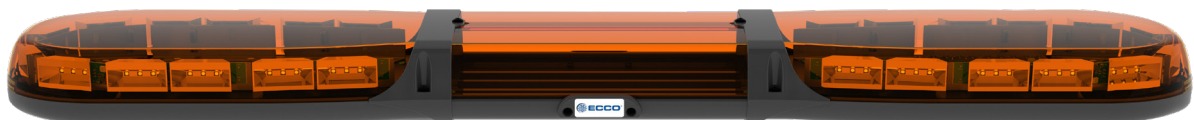
- C** Single Colour & Dual Colour
- T** Warning lights, worklamps, alley lights, stop-tail-indicator, centre illumination
- L** 610mm, 760mm, 910mm, 1070mm, 1212mm, 1372mm, 1524mm, 1828mm
- V** 12-24
- R65, R10, NPIA, CAP168, ICAO
- 5 Years Lightbar

To view the 12+ series LED lightbar video, visit
[YouTube.com](https://www.youtube.com) - ECCO Safety Group EMEA

- Exceptional EMC performance, Industry leading CISPR 25
- Optional Integrated Safety Director™ (must be configured)
- R65 Class I for Amber configurations with Amber & Clear lenses
- Configurations available for CAP168 & ICAO applications
- Coloured lenses - Amber, Blue & Clear
- LED centre illumination available in 457mm
- Eight length options available
- Shorter lengths - 305mm end section and 457mm centre sections
- Aluminium chassis, polycarbonate base and lens
- Temperature Range: -30°C to +50°C
- Height: 63.5mm, width: 279.5mm
- Voltage: 12-24VDC
- Custom configurations are available on request

13 Series

R65 LED Lightbar



AVAILABLE COLOURS

Amber



- C** Single Colour
- T** Warning lights, opal centre section
- L** 770mm, 1000mm, 1250mm, 1500mm
- V** 12-24
- R65, R10, CAP168, ICAO
- 5 Years Lightbar

- 10 Flash standard Patterns, more available on request (Quad flash all on / Quad flash alternating left and right)
- High Intensity LED modules
- Four length options available
- Twenty Four standard chassis configurations
- Aluminium chassis bar, polycarbonate base and lens
- Coloured lenses - Amber & Clear
- Opal centre sections on request
- Temperature Range: -30°C to +50°C
- Height: 85mm, width: 200mm
- Voltage: 12-24VDC
- Custom configurations are available on request

DIRECTIONALS & CCTV

FEUX DE PENETRATION & SYSTEMES DE CAMERA

BLITZLEUCHTEN UND CCTV



ED5100CA
C Amber
V 10-30
A 1.2
X Surface/Bracket
 Ⓞ R65, R10, IP67
 Ⓟ 3 Year

AVAILABLE COLOURS
 Amber, Blue, Red & Amber/Blue



3812A
C Amber
V 12-48
A 0.4
X Surface/Bracket
 Ⓞ R65, R10
 Ⓟ 3 Year

AVAILABLE COLOURS
 Amber, Blue, Clear & Red



ED3777A
C Amber
V 12-24
A 1.8
X Multi Mount
 Ⓞ R65, R10, CE, IP67
 Ⓟ 3 Year

AVAILABLE COLOURS
 Blue, Amber, Clear, Green & Red



ED0001A
C Amber
V 12-24
A 0.7
X 2 Bolt / 1 Bolt Bracket
 Ⓞ R65, R10, IP67
 Ⓟ 1 Year

AVAILABLE COLOURS
 Amber, Blue, Clear, Green & Red



ED5050A
C Amber
V 10-30
A 0.7
X Multi
 Ⓞ R65, R10, IP67
 Ⓟ 5 Year

AVAILABLE COLOURS
 Amber, Blue, Clear & Red



ED5000A
C Amber
V 12-24
A 1.5
X Surface/Bracket
 Ⓞ R65, R10, IP67
 Ⓟ 2 Year

AVAILABLE COLOURS
 Amber, Blue, Clear & Red



ED3706A *Solid - or split-colour*
C Amber
V 12-24
A 0.9
X Multi
 Ⓞ R65, R10, IP67
 Ⓟ 3 Year

AVAILABLE COLOURS
 Amber, Blue, Clear, Green & Red

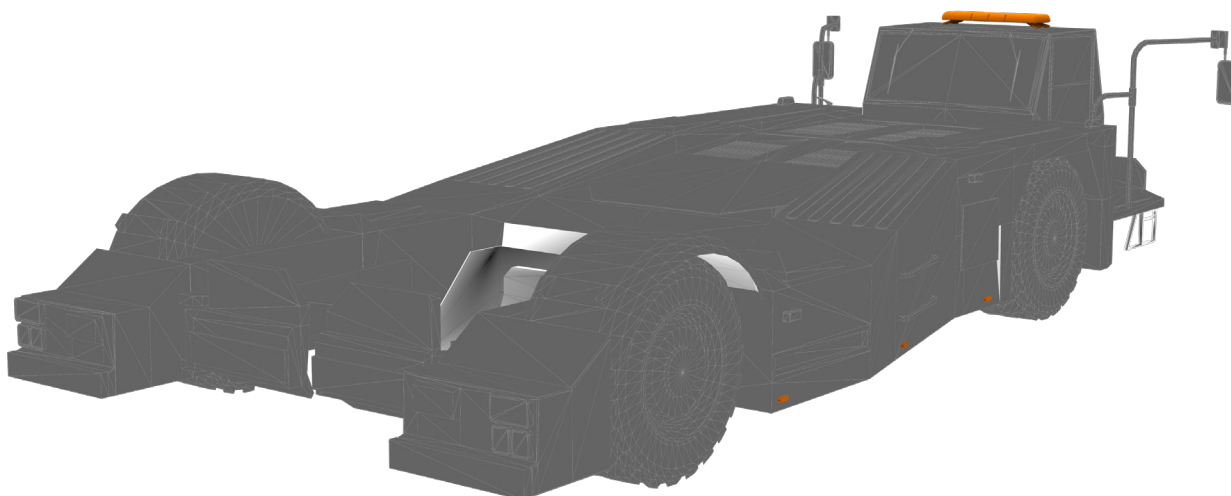


ED3701A *Single - or split-colour*
C Amber
V 12-24
A 0.9
X Surface
 Ⓞ R65, R10
 Ⓟ 3 Year

AVAILABLE COLOURS
 Amber, Blue, Clear, Green & Red

Where applicable, change 'A' in part number to available colour

Recommended installation location options Options d'emplacement d'installation recommandées Empfohlene Anbauposition



OTHER MOUNT & COLOUR OPTIONS AVAILABLE

DIFFERENTES OPTIONS DE FIXATION ET DE COULEUR DISPONIBLES
 WEITERE MONTAGE - UND FARBMOEGLICHKEITEN ERHALTLICH

ECCOESG.CO.UK



ESGEMEA

esg-emea

ESG_EMEA

ESG EMEA

esg_emea

Mobile Surveillance and Vehicle Tracking Solutions

ESG provide a range of mobile surveillance and tracking solutions for airside operational vehicles. Our technology can provide live monitoring of vehicle location, operational status of equipment, live video streams from inside and outside the vehicles, and messaging direct to the dashboard. Data feeds can be securely aggregated to relevant operational teams such as airfield engineering, security, fire, winter maintenance, and passenger transport as required.

ESG offre une gamme de solutions de surveillance pour les véhicules opérationnels côté piste. Notre technologie peut fournir une surveillance directe de la localisation du véhicule, de l'état opérationnel de l'équipement, des flux vidéos en direct depuis l'intérieur et l'extérieur des véhicules, ainsi qu'une messagerie directe vers le tableau de bord. Les flux de données peuvent être regroupés de manière sécurisée avec les équipes opérationnelles concernées, telle que les ingénieurs, le personnel de sécurité, les pompiers, le personnel de la maintenance hivernale ou le transport de passagers, selon les besoins.

ESG bietet eine Auswahl an mobilen Überwachungs- und Verfolgungssystemen für Betriebsfahrzeuge auf Flughäfen. Unsere Technologie bietet Live-Monitoring des Fahrzeug-Standortes, den aktuellen Betriebsstatus der Ausstattung, Live-Videos vom Fahrzeug, innen, sowie auch außen und liefert diese Daten direkt zur Schaltzentrale. So können Daten, wenn benötigt, sicher an das relevante Betriebspersonal wie z.B. Flugplatz-Ingenieure, Sicherheitspersonal, Feuerwehr, Winterdienst und Passagiertransport übermittelt werden.

Winter Maintenance

- Locate last known position after summer stand-down
- Live route tracking for rapid deployment to areas requiring urgent treatment or maintenance
- Live video feed to rapid assessment e.g. during sudden snow events
- Logging of plough & gritter activation to ensure important taxiway/runway are treated correctly
- Solid-state storage optimised for use in cold environments



Passenger Transit

- Covert multi-channel cameras to cover all passenger areas
- Anti-vandal design to ensure reliable operation
- High definition helps to see faces and detail of suspect baggage, clothing etc
- Secure data storage protects images & ensures only authorised personnel have access
- Logging of driving style helps to ensure passenger safety during airside transit



Operational

- Cameras built-in to lightbar for optimum viewing perspective
- Live tracking for instant location assessment and rapid deployment of nearest vehicle
- Wireless download of data to backup and analyse evidence from operational emergencies
- Live messaging from operational control room to dash monitor
- Logging of vehicle lights, devices, and geo-fence incursions



Fire Trucks

- Multi-channel video provides all around 360° coverage for safe manoeuvring around aircraft
- Waterproof cameras with wide operating temperature range, proven in Airport Fire Services
- Pan-tilt-zoom option with wireless streaming for remote surveillance in critical scenarios
- Live status monitoring and logging for blue lights, pumps, siren etc
- Recording from hose guns, crew cab etc



CUSTOM CONFIGUTATIONS AVAILABLE

CONFIGURATIONS SPECIQUES DISPONIBLES SUR DEMANDE
KUNDENSPEZIFISCHE KONFIGURATIONEN AUF ANFRAGE

WHITE LIGHTING

ECLAIRAGE BLANC

INNENLEUCHTEN & ARBEITSSCHEINWERFER

5M Roll

EW0118

T 5M Roll
V 12
A 3.6
Flood
CE, RoHS, IP65
3 Year

EW0128

T 5M Roll
V 24
A 3.6
Flood
CE, RoHS, IP65
3 Year



150mm

EW0116

T 18 LED
V 12
A 0.4
L 350 Raw, 350 Effective
Flood
CE, RoHS, IP65
3 Year

EW0125

T 18 LED
V 24
A 0.1
L 350 Raw, 350 Effective
Flood
CE, RoHS, IP65
3 Year

600mm

EW0117

T 36 LED
V 12
A 0.7
L 700 Raw, 700 Effective
Flood
CE, RoHS, IP65
3 Year

EW0127

T 36 LED
V 24
A 0.4
L 700 Raw, 700 Effective
Flood
CE, RoHS, IP65
3 Year



170mm CLEAR

EW0320

T 8 LED
V 12-24
A 0.1
L 200 Raw, 200 Effective
Flood
CE, RoHS,
3 Year



350mm MODULAR FROST

EW0351

T 16 LED
V 12
A 0.5
L 300 Raw, 250 Effective
Flood
CE, RoHS
3 Year



CONNECT
MULTIPLE UNITS
TOGETHER



Multiple lengths available



450mm

EW0600

T 96 LED
V 12-24
A 1.7
L 2000 Raw, 1900 Effective
Flood
CE, RoHS
3 Year



140mm

EW0400

T 10 LED
V 12-24
A 0.4
L 200 Raw, 200 Effective
Flood
CE, R10, RoHS, IP64
3 Year



300mm

EW0401

T 22 LED
V 12-24
A 0.7
L 450 Raw, 450 Effective
Flood
CE, R10, RoHS, IP64
3 Year



330mm

EW0700

T 6 LED
V 12-24
A 0.5
L 400 Raw, 350 Effective
Flood
CE, RoHS
3 Year



560mm

EW0701

T 12 LED
V 12-24
A 0.9
L 1250 Raw, 1200 Effective
Flood
CE, RoHS
3 Year

OTHER LENGTH & TYPE OPTIONS AVAILABLE

PLUSIEURS LONGUEURS ET TYPES DISPONIBLES
WEITERE LÄNGEN UND TYPEN ERHÄLTlich

ECCOESG.CO.UK



ESGEMEA



esg-emea



ESG_EMEA

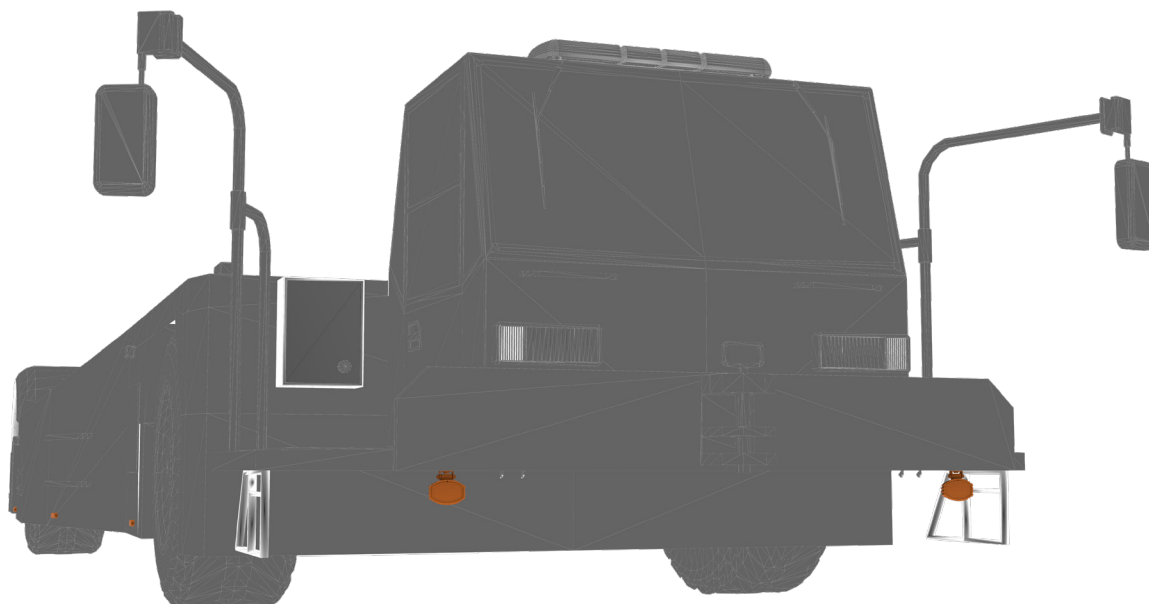


ESG EMEA



esg_emea

Recommended installation location options Options d'emplacement d'installation recommandées Empfohlene Anbauposition



EW2451
V 12-24
A 2.2
L 1300 Raw, 1100 Effective
 Flood
 CE
 3 Year



EW2461
V 12-24
A 3.2
L 650 Raw, 600 Effective
 Flood
 IP67, CE
 1 Year



EW2471
V 12-24
A 1.2
L 550 Raw, 500 Effective
 Flood
 IP67, CE, R10
 3 Year



E92027
V 12-24
A 1.2
L 900 Raw, 850 Effective
 Flood
 IP67, CE
 2 Year



EW2431
V 12-24
A 3.1
L 2600 Raw, 2100 Effective
 Flood
 IP67, CE
 2 Year



EW2411
V 12-24
A 1.3
L 1000 Raw, 900 Effective
 Flood
 IP67, CE, R10
 2 Year



EW2501
V 12-24
A 3.0
L 2900 Raw, 2450 Effective
 Flood
 IP67, CE
 2 Year



EW3124
V 12-24
A 8.7
L 5900 Raw, 4400 Effective
 Flood / Spot Combo
 R10
 3 Year

OTHER OPTIONS AVAILABLE

AUTRES OPTIONS DISPONIBLES
WEITERE OPTIONEN VERFÜGBAR

MIRRORS & ALARMS

RETROVISEURS ET ALARMES DE RECOL

SPIEGEL UND ALARME

Mirror Heads



7106.000.A

Rear view mirror.
Glass spherical radius
R1800mm. To fit
Ø22mm arms.
Two year warranty



7112.020.AM

Rear view mirror.
Glass spherical radius
R450. To fit arms
Ø10 - Ø22mm.
Two year warranty



7120.320.A

Rear View Mirror.
Glass spherical radius
R1400mm. To fit arms
Ø10 - Ø22mm.
Two year warranty



7132.000.A

Rear view mirror
Glass spherical radius
R1800. To fit arms
Ø16mm - Ø22mm.
Two year warranty



7182.320.A

Universal fit rear view
mirror. Glass spherical
radius R2100mm. To fit
arms Ø10 - Ø22mm.
Two year warranty

Mirror Arms



7200.007.A

Black. 'Midibrac' arm
assembly Ø16mm
tube. Spring loaded
adjustment. 2 x M6
mounting Holes .
Two year warranty



7219.044/045

Black. 'D' arm
assembly Ø16mm tube.
Spring loaded
adjustment. 4 x 11mm
mounting holes.
Two year warranty



7200.050.A

Black. 'Midibrac' arm
assembly Ø16mm tube.
Spring loaded
adjustment. 2 X M6
mounting holes.
Two year warranty



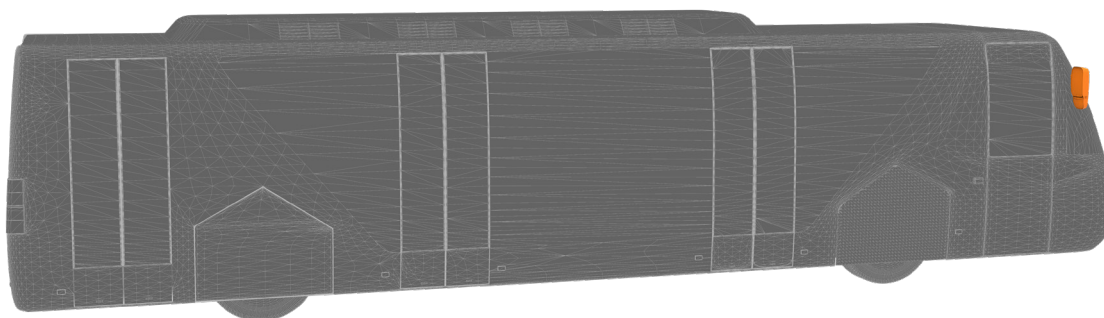
7200.025.A

Black. 'Midibrac' arm
assembly Ø16mm
tube. Spring loaded
adjustment. 2 X M6
mounting holes.
Two year warranty



7200.099.A

Black. 'Midibrac' arm
assembly Ø16mm tube.
Spring loaded
adjustment. 2 X M8
mounting holes.
Two year warranty



Recommended installation location options
Options d'emplacement d'installation recommandées
Empfohlene Anbauposition

OTHER OPTIONS AVAILABLE

AUTRES OPTIONS DISPONIBLES
WEITERE OPTIONEN VERFÜGBAR

ECCOESG.CO.UK



ESGEMEA



esg-emea



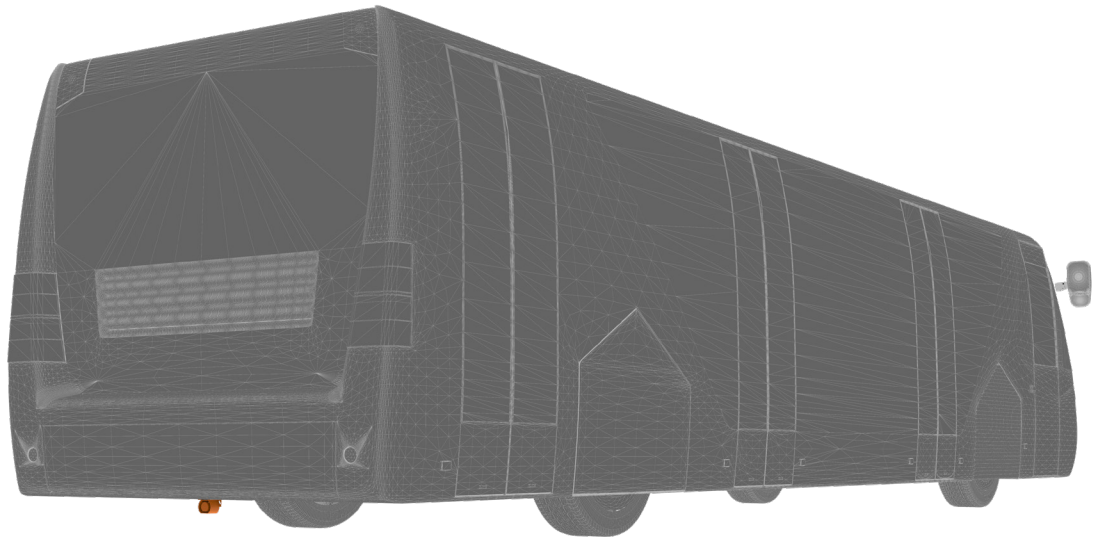
ESG_EMEA



ESG EMEA



esg_emea



Recommended installation location options
Options d'emplacement d'installation recommandées
Empfohlene Anbauposition



530-001
V 12-24
dB(A) 102
A 0.2
X 2 Bolt
☑ SAE J994 Type F, CE, R10
⌚ 2 Year



950-001 **SMART ALARM**
V 12-24
dB(A) 82-102
A 0.4
X 2 Bolt
☑ CE, R10, UL, IP65
⌚ 2 Year



901N-001 **SMART ALARM**
V 12-24
dB(A) 82-107
A 0.3
X 2 Bolt
☑ CE, R10, UL, IP64
⌚ ECCOLIFE™



EA9724 **SMART ALARM** **MULTI FREQUENCY**
V 12-24
dB(A) 77-97
A 0.7
X 2 Bolt
☑ SAE J994 Type F, CE, R10, IP64
⌚ ECCOLIFE™



777
V 12-24
dB(A) 97/107/112 Switchable
A 0.5
X 2 Bolt
☑ SAE J994 Type A, B, C, CE, R10, IP66
⌚ 2 Year



EA9070 **SMART ALARM** **MULTI FREQUENCY**
V 12-24
dB(A) 87-107
A 0.9
X 2 Bolt
☑ SAE J994 Type F, CE, R10, IP66
⌚ ECCOLIFE™



830N-001
V 12-36
dB(A) 107
A 1.3
X 2 Bolt
☑ SAE J994 Type B, CE, R10
⌚ ECCOLIFE™



917N-001 **SMART ALARM** **MULTI FREQUENCY**
V 12-24
dB(A) 87-112
A 1.5
X 2 Bolt
☑ SAE J994 Type F, CE, R10
⌚ ECCOLIFE™

OTHER OPTIONS AVAILABLE

AUTRES OPTIONS DISPONIBLES
WEITERE OPTIONEN ERHÄLTICH

ESG[®]

ECCO SAFETY GROUP

ECCOESG.CO.UK



ESGEMEA



esg-emea



ESG_EMEA



ESG EMEA



esg_emea

Distributed by:
Distribué par:
Erhältlich von:

MKT015



ESG UK (EMEA HQ)

Unit 1, Green Park, Coal Road,
Leeds, LS14 1FB, United Kingdom
T: +44 (0)113 237 5340
E: sales@eccogroup.com

ESG FRANCE

Bâtiment A15, 5 Avenue Lionel Terray,
Meyzieu, 69330, France
T: +33 4 78 79 60 00
E: adv@eccogroup.com

ESG GERMANY

Riedweg 58-60,
Ulm, 89081, Germany
T: +49 731 935 210
E: ulm@eccogroup.com