

# BRITEZONE™ HAND HELD WORK LAMPS



DATA SHEET

WORK LIGHTING



BZ421-5



BZ501-5



Rain or shine...day or night...Grote's affordable new LED lamps are designed to work when you need them. No excuses.

- Chargers are provided with all lamps. Go Anywhere LED Work Lamps come with wall and car chargers. EZ Grip LED Work Lamps come with a wall charger.
- The magnetic polymer base allows you to secure the lamp to most metal surfaces.
- The rugged, durable construction and LED power of BriteZone lamps far outshine halogen to get the job done without breaking the bank.
- Boating. Mowing. Off-roading. For working or playing until long after the sun goes down, you need a lamp that's as tough and tireless as you are.
- Grote's BriteZone family has an LED lamp for any application—even tow trucks, garbage trucks, and forklifts.

## PRODUCT SPECIFICATIONS

### MATERIALS

LENS: Polycarbonate  
HOUSING: Die-Cast Aluminum Lamp with Polymer Base  
BRACKET: Stainless Steel

### LIGHT OUTPUT

Flood Pattern with Cool White Color

PART NUMBER	DESCRIPTION	LEDS	POWER CONSUMPTION	RAW LUMENS	VOLTS	CHARGE TIME	RUN TIME
BZ501-5	GO ANYWHERE LED WORK LAMP	6	12 WATTS	1100	12 VOLTS DC	10 HOURS	5 HOURS
BZ421-5	BATTERY-POWERED LED WORK LAMP	9	12 WATTS	2160	12 VOLTS DC	3.5 HOURS	3 HOURS

FOR MORE INFORMATION VISIT [GROTE.COM](http://GROTE.COM)

Grote Industries, Inc. 2600 Lanier Drive, Madison, Indiana U.S.A. 47250-0550  
U.S. 800.628.0809 | Europe +49 9422 40331-0 | China +86.21.5774.9633  
Canada 800.268.5612 | Mexico +(52) 818262 4412

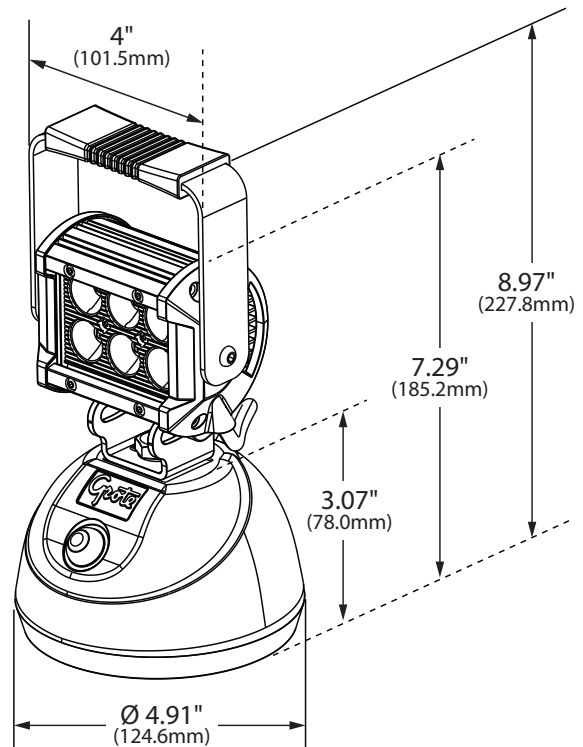
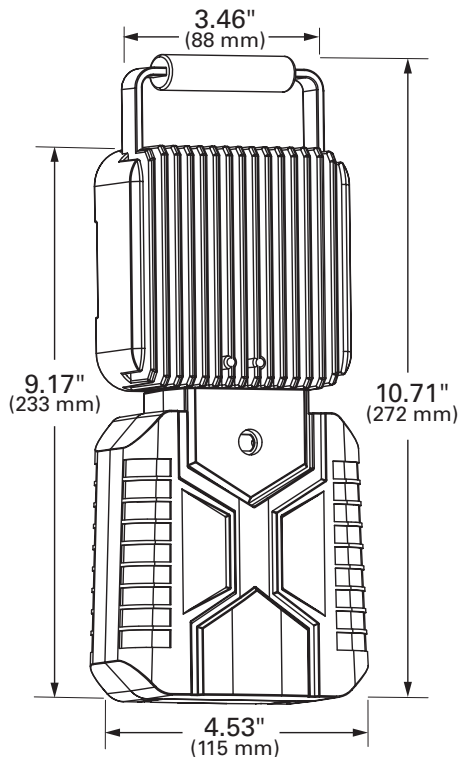


# BRITEZONE™ HAND HELD WORK LAMPS



DATA SHEET

WORK LIGHTING



FOR MORE  
INFORMATION  
VISIT [GROTE.COM](http://GROTE.COM)

Grote Industries, Inc. 2600 Lanier Drive, Madison, Indiana U.S.A. 47250-0550  
U.S. 800.628.0809 | Europe +49 9422 40331-0 | China +86.21.5774.9633  
Canada 800.268.5612 | Mexico +(52) 818262 4412

