





BEACONS



7160 Reflex® SAE Class I LED

The 7160 Series Reflex® LED beacon provides the ultimate level of power, versatility and style available in an LED beacon. The latest high intensity LEDs combined with reflector technology produce a powerful, SAE Class I/Cal Title 13, warning signal in a light that also offers premium features including 23 flash patterns, hi/lo intensity control and synchronization capability. Low amp draw, zero maintenance make this light an obvious choice to replace strobe or rotating lights.

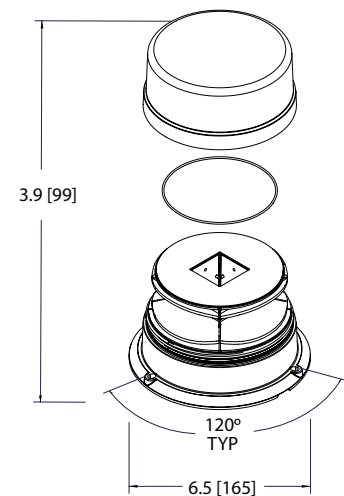
Models

PART NO.	MOUNT	LENS COLOR	LED COLOR OPTIONS
7160X	3 Bolt / 1" Pipe		<input type="checkbox"/>
7160CX	3 Bolt / 1" Pipe	<input type="checkbox"/>	<input checked="" type="checkbox"/> <input type="checkbox"/>
7160X-VM	Vacuum-Magnet		<input type="checkbox"/>
7160CX-VM	Vacuum-Magnet	<input type="checkbox"/>	<input checked="" type="checkbox"/> <input type="checkbox"/>

Replace "X" in part number with desired color: A=amber, B=blue, C=clear, G=green, R=red

Features and Benefits

- 12-24 VDC, 2.0 Amps
- High intensity LEDs and reflector technology produce an SAE Class I warning signal
- 23 flash patterns and hi/lo intensity control
- Multiple units can be synchronized
- Cigarette plug with on/off and flash pattern switch (vacuum magnet only)
- Temperature Range: -22°F to +122°F (-30°C to +50°C)



Flash Patterns (23)

- Steady Burn
- Title 13 Single (A)
- Title 13 Single (B)
- Title 13 Double (A)
- Title 13 Double (B)
- Title 13 Quad (A)
- Title 13 Quad (B)
- Double (A)
- Double (B)
- Fast Double (A)
- Fast Double (B)
- Quad (A)
- Quad (B)
- Quint Hold (A)
- Quint Hold (B)
- Burst (A)
- Burst (B)
- Slow Rotate
- Fast Rotate
- Wave Rotate
- Rotate/Quad
- Ramp Up/Down
- Random