

# BRITEZONE™ WORK LAMPS



DATA SHEET

WORK LIGHTING



BZ201-5



BZ101-5



BZ601-5



BZ551-5



BZ111-5



BZ301-5

Rain or shine...day or night...Grote's affordable new LED lamps are designed to work when you need them. No excuses.

- The rugged, durable construction and LED power of BriteZone lamps far outshine halogen to get the job done without breaking the bank.
- Boating. Mowing. Off-roading. For working or playing until long after the sun goes down, you need a lamp that's as tough and tireless as you are.
- Grote's BriteZone family has an LED lamp for any application—even tow trucks, garbage trucks, and forklifts.
- Value-priced to meet your budget.

## PRODUCT SPECIFICATIONS

### MATERIALS

LENS: Polycarbonate  
HOUSING: Die-Cast Aluminum  
BRACKET: Stainless Steel

### LIGHT OUTPUT

Flood Pattern with Cool White Color

PART NUMBER	DESCRIPTION	LEDS	POWER CONSUMPTION	RAW LUMENS	VOLTS
BZ101-5	ROUND WORK LAMP	6	16 WATTS	1600	9 – 32 VOLTS
BZ111-5	SMALL ROUND WORK LAMP	5	14 WATTS	1240	12 – 36 VOLTS
BZ201-5	SQUARE WORK LAMP	5	11 WATTS	1100	9 – 32 VOLTS
BZ301-5	SLIM WORK LAMP	6	16 WATTS	1400	9 – 32 VOLTS
BZ551-5	LED WORK LAMP	6	15 WATTS	1200	12 – 30 VOLTS
BZ601-5	MINI SQUARE WORK LAMP	3	8.1 WATTS	775	12 – 36 VOLTS

FOR MORE  
INFORMATION  
VISIT [GROTE.COM](http://GROTE.COM)

Grote Industries, Inc. 2600 Lanier Drive, Madison, Indiana U.S.A. 47250-0550  
U.S. 800.628.0809 | Europe +49 9422 40331-0 | China +86.21.5774.9633  
Canada 800.268.5612 | Mexico +(52) 818262 4412

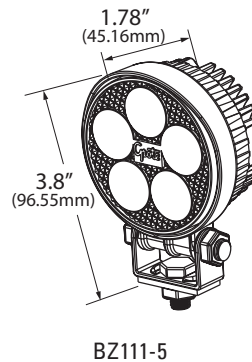
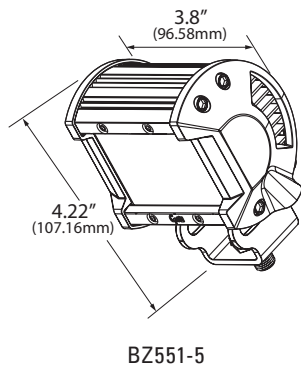
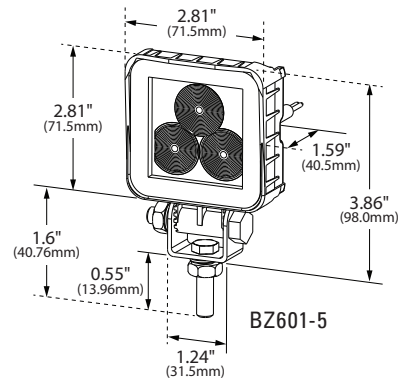
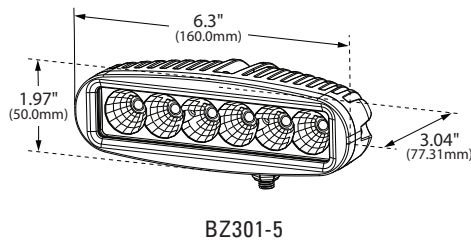
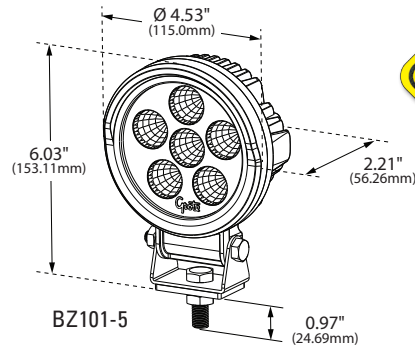
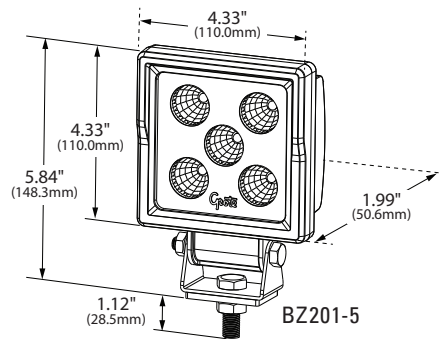


# BRITEZONE™ WORK LAMPS



DATA SHEET

WORK LIGHTING



FOR MORE  
INFORMATION  
VISIT [GROTE.COM](http://GROTE.COM)

Grote Industries, Inc. 2600 Lanier Drive, Madison, Indiana U.S.A. 47250-0550  
 U.S. 800.628.0809 | Europe +49 9422 40331-0 | China +86.21.5774.9633  
 Canada 800.268.5612 | Mexico +(52) 818262 4412

